

CHESNEYS

Thank you very much for the interest you have shown in our stove collection.

Due to the energy crisis, we are experiencing extremely high levels of demand for our stoves as people seek alternative means of heating their homes.

The good news is that unlike many other manufacturers, we are managing to maintain an uninterrupted supply of our products.

The most popular models in our stove collection can be delivered to your local dealer within six weeks of order, allowing time for a site survey to be made and an installation date to be booked in.

I hope that you find a model in our range to suit your requirements and that it's not long before you're enjoying the warmth and comfort of a real fire.

Best wishes,

Paul Chesney



Managing Director

CHESNEYS

STOVE COLLECTION 2023

A range for today



CHESNEYS STOVE COLLECTION - *a range for today*

Stoves are one of the most popular features in modern homes, giving a beautiful warm glow to your favourite room whilst providing an efficient and renewable way to keep you and your family warm.

The Chesneys stove sets the bar for the stove industry, leading the way with the very latest technology, delivering outstanding levels of efficiency coupled with minimal emissions.

But our stoves aren't just beautiful on the inside. Our design team have produced a range of models that incorporate traditional, retro and contemporary styles and which display a design aesthetic and degree of engineering sophistication that is entirely unique in the world of stoves.

Whatever your design preference or your fuel choice, Chesneys have the right stove for you; stylish, efficient and as clean and sustainable as possible. Truly, a range for today!



Paul Chesney

THE RESPONSIBLE CHOICE	1
SIX REASONS TO BUY A CHESNEYS STOVE	2
THE BENEFITS OF INVESTING IN A CHESNEYS WOOD BURNING STOVE	4
SALISBURY	6
BIOETHANOL SALISBURY	10
BEAUMONT	12
SHOREDITCH	16
ALPINE	20
MILAN	22
HOW TO GET THE BEST OUT OF YOUR WOOD BURNING STOVE	24
CHOOSE THE RIGHT UNIT FOR YOU	26
COLOUR PALETTE	28

THE RESPONSIBLE CHOICE – SUPPORTING ECODESIGN 2022

With recent concerns over emissions and increasing regulation by Government around the right way to heat your home, making the responsible choice of stove is increasingly important for all homeowners and for the environment. All of the Chesneys wood burning stoves are DEFRA exempt (tested and passed by the Department for Environment, Food and Rural Affairs) and have either already passed or are currently undergoing Ecodesign 2022 certification, the EU-wide standard. We are committed to giving you the ability to make a responsible lifestyle choice.



ENVIRONMENTALLY FRIENDLY

Wood burning is the focus of much of the concern over emissions but actually makes sound environmental sense when done responsibly. DEFRA advise the following:



- Consider burning less – consider when to light your stove
- Use ‘Ready to Burn’ wood with less than 20% moisture
- Season freshly chopped wood before burning



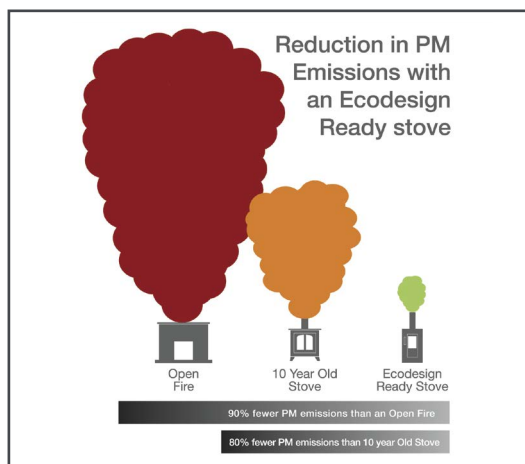
- Do not burn treated wood or household waste
- Maintain and service your stove annually



- Get your chimney swept regularly
- Use the right appliance – either DEFRA exempt, Ecodesign Ready Stove or Clear Skies

AN EFFECTIVE SOURCE OF HEAT

An open fire loses a substantial amount of the heat it generates and even when not alight, continues to draw air out of the room draining warmth and creating drafts. By contrast a stove is capable of an efficiency rating of up to 85% when in use and eliminates heat loss when not in use.



ECONOMICAL AND BEAUTIFUL

Traditional energy suppliers can no longer be relied upon to provide a stable and fairly priced supply. Using a wood stove however gives you some independence from the large utilities. A stove provides a warmth that no other energy source can equal while creating captivating, constantly changing flame patterns bringing a welcoming and heart-warming presence to any room.

SIX REASONS TO BUY A CHESNEYS STOVE

OUR ENTIRE STOVE COLLECTION HAS BEEN DESIGNED WITH THE USER IN MIND. WHETHER YOUR PREFERENCE IS FOR WOOD, GAS, OR BIOETHANOL, EACH RANGE MEETS THE SAME EXACTING ENVIRONMENTAL, DESIGN AND ENGINEERING STANDARDS.

A RESPONSIBLE APPROACH TO THE ENVIRONMENT



All our stoves are DEFRA exempt and Ecodesign 2022 accredited or in the process of being tested for certification. Our clean-burn and air-wash technology means that the polluting by-products emitted by the initial burning process are re-ignited and burnt again in the stove. This double combustion reduces emissions and means that Chesneys stoves can be burned safely and legally in all major cities and towns throughout the UK.



BEAUTIFUL DESIGN AS STANDARD

Not all stoves are born equal. Our design team have created a range of traditional and contemporary stoves to suit any room design or theme. We know that your stove can be the heart of your home and we want it to look beautiful as well as keeping you beautifully warm.



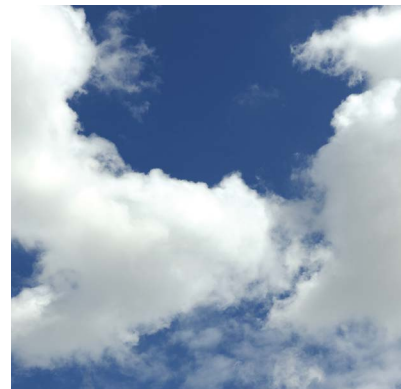
EFFICIENTLY ENGINEERED

Our sophisticated manufacturing uses state-of-the-art robotic welding to ensure every stove is tightly sealed. This means that the air supply can be easily controlled from slow burn to intense roaring fire. Our stoves provide both radiant and convection heating delivering the maximum warmth and delivering outstanding efficiency, ratified by independent testing.



SAFE, DURABLE AND FUTURE-PROOFED

All our stoves are designed to last. Using the very best cast-iron components and the toughest ceramic glass, our solid fuel stoves will provide a safe and dependable source of heat for years to come. All come with a 10 year guarantee on the bodies and 12 month guarantee on the non-consumable parts. Our gas stoves are rigorously tested, conform to European Standards and carry the CE mark and comes with a 2 year warranty on the gas valve subject to term and conditions.



EASY TO USE

Our engineers wanted to ensure that achieving the greatest efficiency would be as easy as possible and so our solid-fuel stoves are operated with a simple fuel selector and a single air control lever. Our gas stoves come with a fully sequential remote control device. Achieving the effect you want, from gentle flame to an intense burn, couldn't be any easier.



DELIVERING AN ATMOSPHERIC EXPERIENCE

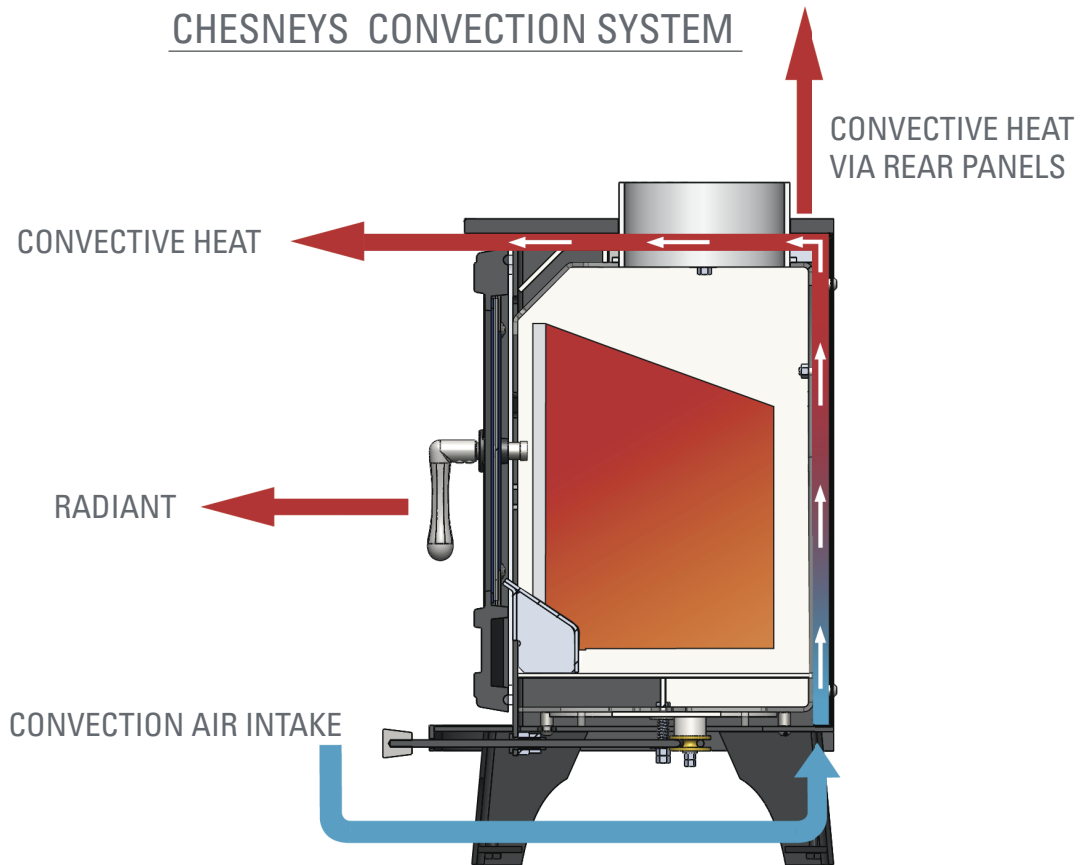
How your stove burns, is a big part of the pleasure that it brings, providing a captivating visual experience. Whether it's the beautiful and controllable burn of our solid fuel stoves or the realistic log fire effect of our gas stoves, a Chesneys appliance will always be a treat for the eye and create a wonderful, cosy atmosphere.



THE BENEFITS OF INVESTING IN A CHESNEYS WOOD BURNING STOVE

QUALITY, RELIABILITY AND 10 YEAR GUARANTEE

Chesneys stoves are designed and built to the very highest standards of quality, guaranteeing many years of use and reliability. All come with a 10 year guarantee on the stove body; well above the industry average. All products need to be registered online directly with Chesneys.



The air from the room travels under the stove and is sucked into the machine. It is then heated by the stove before being sent out at the top and also via the double insulated rear panels which are connected to the stove, giving increased convected air circulation at the rear of the stove.

PERFORMANCE, EFFICIENCY AND CONVECTION

A Chesneys stove employs an intelligent ducted convection system via a second skin around the stove, extracting the maximum heat and convecting it out of the front of the stove for maximum effect. This results in a much more efficient output and a saving on fuel.

A CLEANER BURN AND NICE CLEAN GLASS

A Chesneys stove, like many others, feeds the combustion air down the inside of the glass door (airwash system) to keep the glass clear. What sets a Chesneys stove apart is that this airflow is pre-heated to a much higher temperature by running the hot air up inside a second skin on either side of the stove.

This super-heated air ensures you'll enjoy a soot-free glass, even when running the stove slowly with even just one log. It also has the added benefit of producing a much cleaner burn, resulting in reduced emissions, fuel saving and an eco-friendly stove.

DISTANCE TO COMBUSTIBLE MATERIALS

The unique design of a Chesneys stove ensures that the stated minimum distances to combustible materials to the side and rear of the stove are greatly reduced when compared to many other stoves. Distance to combustibles can be a challenge in certain installations and the fact that a Chesneys stove loses little heat to sides and rear is a significant advantage where limited space is available.

THOUGHTFUL DESIGN, CLEVER INNOVATION AND SIMPLE OPERATION

Innovative design and engineering expertise ensure that a Chesneys stove is a pleasure to use. All of our stoves have a simple, single air control lever to regulate heat output and temperature and they are very easy to light. Every stove is also fitted as a standard with a direct air feed which will provide outside air for both burning and refuelling if connected.

EXCEPTIONAL VALUE

With all the above in mind, you'll find the Chesneys range offers exceptional value for money, comparing favourably with competitor products which offer fewer benefits and features.

THE SALISBURY

Is very much in the style of a traditional wood burning stove. A robust and simple design with a solid cast iron door, housing a large glass window that allows the fire to be enjoyed.

The Salisbury is available as a 4, 5 and 8 series wood burning stove and a standard and large gas stove. The 5WS, 8WS and 12WS series wood burning stoves come fitted with a fully patented air kit which draws all the air for combustion and refuelling from outside, for a room-sealed appliance.



Salisbury Standard Gas stove

- KEY
- ⊕ Dimensions
 - ⊞ Nominal Output
 - ▮ Net Efficiency
 - ⚖ Weight
 - 📏 Maximum Log Length
 - 🏠 Heating Area

Value depends on the insulation of the room and position of the stove.

WOOD BURNING



4kW ECO
2022 SERIES



- ⊕ H534 W402 D335
- ⊞ 4.0 kW
- ▮ 77.3 %
- ⚖ 72 kg
- 📏 255 mm (10")
- 🏠 40 m³ Min 100 m³ Max



5WS SERIES



- ⊕ H560 W482 D336
- ⊞ 4.8 kW
- ▮ 81 %
- ⚖ 87 kg
- 📏 305 mm (12")
- 🏠 48 m³ Min 120 m³ Max



5WS SERIES LS



- ⊕ H720 W482 D356
- ⊞ 4.8 kW
- ▮ 81 %
- ⚖ 102 kg
- 📏 305 mm (12")
- 🏠 48 m³ Min 120 m³ Max



Salisbury 8/6 WS shown in black finish

THE SALISBURY

The 8WS wood burning stove comes in two variations, with heat outputs of either 6kW or 8kW. This allows you to have the look of a larger stove, with a smaller heat output. Also available as a 8WS series double sided wood burning stove and a 12WS series wood burning stove, for larger rooms that require an increased heat output.

Gas stoves are available as natural gas only, with the choice of conventional flue or balanced flue options.



The Salisbury Conventional Flue Standard Gas

WOOD BURNING

8WS SERIES		8WS DBL SIDED SERIES		12WS SERIES	
	 ecodesign ready				 ecodesign ready
† H659 W570 D428 ≈ 5.9 kW / 8.3 kW ≈ 80 % / 78 % 145 kg 355 mm (14") 59 m³ Min 208 m³ Max		† H657 W570 D521 ≈ 8.1 kW ≈ 77.6 % 150 kg 355 mm (14") 100 m³ Min 250 m³ Max		† H660 W684 D470 ≈ 10.6 kW ≈ 75.9 % 171 kg 445 mm (17 1/2") 106 m³ Min 265 m³ Max	



Image for illustration purposes only

The Salisbury Double 8 series wood burning stove in Black paint finish.

GAS

STANDARD



± H534 W482 D335

82.3 %

79 kg

N/A

44 m³ Min 110 m³ Max



LARGE

NEW PREMIUM GAS
LOG BURNER TECHNOLOGY

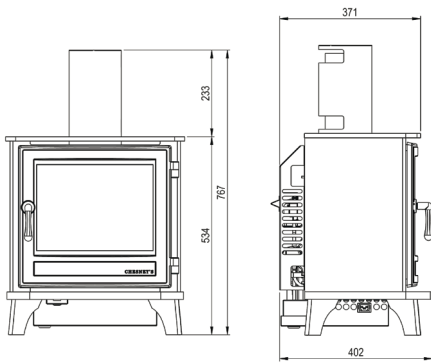
± H653 W570 D428

82.1 %

155 kg

N/A

57 m³ Min 143 m³ Max



THE SALISBURY ETHANOL

There has been a huge resurgence in demand for wood burning stoves as consumers try to reduce their dependence on public utilities.

Another new and exciting solution is to install an Ethanol stove. Clean and simple to install, with no need for a flue or working chimney, an ethanol stove is an ecologically friendly and efficient form of heating that can be used anywhere providing an electricity supply is available.

Emulating the appearance of a conventional wood burning stove with mesmerising flames and a heat output of up to 3.5kw, an ethanol stove is the perfect alternative for those not wishing to lay and tend a wood fire.



THE SALISBURY ETHANOL BOASTS THE FOLLOWING FEATURES:

- Beautiful living flame fire
- Automatic ignition
- No chimney or flue required
- A heat output of up to 3.5kw
- Fully remote controlled
- Pump operated automatic re-fuelling system
- 100% energy efficient
- Odourless in operation (unlike other ethanol burners)

ETHANOL



- 5 SERIES ETHANOL**
- ± H534 W482 D402
 - ≈ 3.5 kW (H) 2.5kW (L)
 - ▒ 100 %
 - 🛒 87 kg
 - 📡 N/A
 - REMOTE CONTROL



The Salisbury 5 Bioethanol stove in Black paint finish.

The Salisbury Ethanol stove sets a new level for the performance and use of Ethanol with state of the art technology in terms of safety, functionality and efficiency. Unique features include a patented combustion process that allows a burn time of 11 ½ hours without the need to re-fuel and approval for installation in rooms much smaller (25 cubic meters - no ventilation required) than those required for competing ethanol products.

BIO-ETHANOL FIRE	BP/SALI/5
GROSS OUTPUT on High	3.5kW
ETHANOL CONSUMPTION on High	0.45 Litres per hour
GROSS OUTPUT on Low	2.5kW
ETHANOL CONSUMPTION on Low	0.3 Litres per hour
FUEL TANK VOLUME CAPACITY	3.5 Litres

THE BEAUMONT

With its elegant and refined appearance, the Beaumont is a stove that will look at home in the most sophisticated of interiors. Its design includes swept cabriole legs and a corniced top section, uniquely classical features that are not to be found in other stoves.

The Beaumont is available as a 4, 5 and 8 series wood burning stove, and a standard and large gas stove. The 5WS and 8WS wood burning stoves come fitted with a fully patented air kit which draws all the air for combustion and refuelling from outside, for a room-sealed appliance. The 8WS wood burning stove is available with heat outputs of either 6kW or 8kW allowing you to have the look of a larger stove, with a smaller heat output.



The Beaumont 8 series wood burning stove in Parchment paint finish

WOOD BURNING

 <p>4kW ECO 2022 SERIES </p> <p>± H552 W456 D307 ≈ 4.0 kW ≈ 77.3 % ≈ 73 kg ≈ 255 mm (10") ≈ 40 m³ Min 100 m³ Max</p>	 <p>5WS SERIES </p> <p>± H575 W535 D329 ≈ 4.8 kW ≈ 81 % ≈ 88 kg ≈ 305 mm (12") ≈ 48 m³ Min 120 m³ Max</p>	 <p>8WS SERIES </p> <p>± H710 W642 D395 ≈ 5.9 kW / 8.3 kW ≈ 80% / 78% ≈ 150 kg ≈ 355 mm (14") ≈ 59 m³ Min 208 m³ Max</p>
---	--	---



Beaumont 8/6WS shown in black finish

THE BEAUMONT

Gas stoves are available as natural gas only, with the choice of conventional flue or balanced flue options.

Shown right, is the Chesneys balanced flue snorkel kit.



GAS

STANDARD



± H552 W535 D307
 82.3 %
 79 kg
 N/A
 44 m³ Min 110 m³ Max



LARGE

NEW PREMIUM GAS
 LOG BURNER TECHNOLOGY

± H704 W642 D395
 82.1 %
 155 kg
 N/A
 57 m³ Min 143 m³ Max

The Beaumont large gas stove in black paint finish is shown inside the Langley marble fireplace.



THE SHOREDITCH

One of the most versatile stoves in the Chesneys range. Its simple clean lines allow it to sit comfortably in a wide range of room styles and make it the ideal interior for a fire surround of contemporary architectural style. It is also available with an integral log store.



WOOD BURNING



4kW ECO
2022 SERIES



- ± H543 W398 D294
- ≈ 4.0 kW
- ≈ 77.3 %
- 📦 78 kg
- 📏 255 mm (10")
- 📦 40 m³ Min 100 m³ Max



4kW ECO
2022 SERIES LS



- ± H687 W398 D294
- ≈ 4.0 kW
- ≈ 77.3 %
- 📦 88 kg
- 📏 255 mm (10")
- 📦 40 m³ Min 100 m³ Max



4kW ECO
2022 SERIES XLS



- ± H787 W398 D294
- ≈ 4.0 kW
- ≈ 77.3 %
- 📦 104 kg
- 📏 255 mm (10")
- 📦 40 m³ Min 100 m³ Max



Shoreditch 8/6WS in silver finish

THE SHOREDITCH

It is available as a 4, 5WS, 8/6WS and 8/8WS wood burning stoves as well as a standard gas stove.

Gas stoves are available in natural gas, with the choice of conventional or balanced flue connection types.



Shoreditch 8/8WS finished in silver

WOOD BURNING



5WS SERIES



- ± H566 W478 D317
- ⚡ 4.8 kW
- 📊 81 %
- 📏 92 kg
- 📏 305 mm (12")
- 📏 48 m³ Min 120 m³ Max



5WS LS SERIES

- ± H710 W478 D317
- ⚡ 4.8 kW
- 📊 81 %
- 📏 102 kg
- 📏 355 mm (14")
- 📏 83 m³ Min 213 m³ Max

GAS



STANDARD

- ± H543 W478 D294
- 📊 82.3 %
- 📏 79 kg
- 📏 N/A
- 📏 44 m³ Min 110 m³ Max



Shoreditch 8/6WS finished in silver

THE ALPINE

With its imaginative retro styling is quite unique. Its nickel plated ornamentation and rounded lines combine to create a stove that is visually stunning.

Available as a 4 series wood burning stove.



WOOD BURNING



4kW ECO
2022 SERIES



± H586 W410 D349

≈ 4.0 kW

▒ 77.3 %

⚖ 74 kg

📏 255 mm (10")

🏠 40 m³ Min 100 m³ Max

Shown in Atlantic Blue paint finish inside
the Devonshire limestone fireplace.



THE MILAN

The ideal choice of stove for a contemporary setting. Its sleek cylindrical lines allow it to stand within a room and provide an attractive and highly effective source of heat.

Available as a 4 series wood burning stove.



WOOD BURNING



4kW ECO
2022 SERIES



± H750 W448 D340

≈ 4.0 kW

▒ 77.3 %

📦 78 kg

📏 255 mm (10")

🏠 40 m³ Min 100 m³ Max



HOW TO GET THE BEST OUT OF YOUR WOOD BURNING STOVE

USING AND MAINTAINING YOUR STOVE IN THE CORRECT WAY WILL CONTRIBUTE TO ITS EFFICIENCY AND LONGEVITY AND MAXIMISE THE BENEFICIAL EFFECT THAT ITS USE WILL HAVE ON THE ENVIRONMENT.



FUEL

It is essential that you burn seasoned dry firewood with a moisture content of less than 20%. Burning wet wood will adversely affect the performance of your stove, creating tar deposits in the chimney and causing the glass in the stove door to blacken. Use of a moisture meter will allow you to check that the moisture content of any wood that you are intending to purchase is satisfactory.

If you are supplying your own firewood, it should be stored for at least a year after cutting and splitting to enable it to dry out. Storage should be in a dry well aired location. Hardwood will generally burn for longer than softwood and the latter will make better kindling as it lights easily. Sources of wood such as decking, fencing, demolition materials, painted or treated wood, driftwood or rubbish should under no circumstances be used as fuel for your stove. See The National Energy Foundation website (www.nef.org.uk/logpile) for a database of wood fuel suppliers.

We would strongly recommend that for environmental reasons wood is used as the fuel for your stove.



CHIMNEY DRAUGHT

A good chimney draught is essential if you are to obtain the optimum performance from your stove. There are many variable factors that affect the performance of a chimney and your local Chesneys stockist will be able to advise you on the suitability of your chimney for use with a stove. If you do not have a chimney it is possible to have a prefabricated chimney system installed. It is important that you have your chimney cleaned once a year by a NACS (National Association of Chimney Sweeps) registered sweep.

MAINTENANCE

The door seals of the stove should be regularly checked to ensure that there is an airtight seal. If the sealing rope is not intact it will result in draughts entering the stove which affect its combustion efficiency. The fireproof bricks that line the stove should also be checked for signs that they may be starting to crumble. It is acceptable for cracking to be seen but not disintegration of the bricks as this will reduce the insulation in the firebox leading to low temperatures and inefficient combustion. It is also important that the ashpan is not allowed to overflow as the hot ash can cause the grate of the stove to distort.

PROVISION OF VENTILATION

All stoves require air for combustion. To comply with Building Regulations (Document J 2010) any stove with a maximum heat output of over five kilowatts will require its own dedicated supply of air by means of an air vent. The 5WS, 8WS and 12 series wood burning stoves come fitted with a fully patented air kit which draws all the air for combustion and refuelling from outside, for a room-sealed appliance.

INSTALLATION

Your stove and flue must be installed by a member of a government approved Competent Person Scheme that is authorised to install solid fuel and wood burning appliances, such as HETAS. HETAS is the governing body for the installation of wood burning and solid fuel appliances and its approved installers have all completed the training course necessary to obtain accreditation.



CHESNEYS STOVE COLLECTION – *choose the right unit for you*

MODEL	WOOD BURNING						GAS	
	4kW Eco 2022 SERIES	5WS SERIES	8WS SERIES (6kW)	8WS SERIES (8kW)	8WS DBL SIDED SERIES	12WS SERIES	STANDARD	LARGE
SALISBURY	●	●	●	●	●	●	●	●
BEAUMONT	●	●	●	●			●	●
SHOREDITCH	●	●					●	
ALPINE	●							
MILAN	●							

MODEL	HEAT RANGE FROM	NOMINAL HEAT OUTPUT	MAXIMUM LOG LENGTH	FLUE OUTPUT DIAMETER TOP OR REAR	NET EFFICIENCY	CLEARANCE TO COMBUSTIBLES
4kW ECO 2022 SERIES (SALISBURY, BEAUMONT, SHOREDITCH)	2.5kW - 5kW	4.0kW to room	255mm	127mm	77.3 %	Rear 400mm (100mm if using an insulated flue) Sides 250mm
4Kw ECO 2022 SERIES (ALPINE)	2.5kW - 5kW	4.0kW to room	255mm	127mm	77.3 %	Rear 400mm (250mm if using an insulated flue) Sides 250mm (150mm if using an insulated flue)
4kW ECO 2022 SERIES (MILAN)	2.5kW - 5kW	4.0kW to room	255mm	127mm	77.3 %	Rear 250mm (100mm if using an insulated flue) Sides 250mm (100mm if using an insulated flue)
5WS SERIES (SALISBURY, BEAUMONT, SHOREDITCH)	3kW - 6.5kW	4.8kW to room	305mm	150mm	81 %	Rear 300mm (150mm if using an insulated flue) Sides 300mm Above the stove 500mm if installed as per installation manual
8WS (6kW) SERIES (SALISBURY, BEAUMONT)	3kW - 8kW	5.9kW to room	355mm	150mm	80.0 %	Rear 250mm Sides 450mm Above the stove 400mm if installed as per installation manual
8WS (8kW) SERIES (SALISBURY, BEAUMONT)	4kW - 9.5kW	8.3kW to room	355mm	150mm	78.2 %	Sides 400mm Rear 250mm
8WS DBL SIDED (SALISBURY)	4kW - 10kW	8.1kW to room	355mm	150mm	77.6 %	Sides 350mm Rear N/A
12WS SERIES (SALISBURY)	4.5kW - 12kW	10.6kW to room	445mm	150mm	75.9 %	Sides 400mm Rear 500mm
SALISBURY ETHANOL	2.5kW - 3.5kW	N/A	N/A	150mm external 233mm High	100%	Sides 75mm Rear 50mm
STANDARD GAS - COVENTIONAL FLUE (SALISBURY, BEAUMONT, SHOREDITCH)		4.4kW to room	N/A	100mm (TOP EXIT ONLY)	82.3 %	Sides 75mm Rear 100mm
STANDARD GAS - BALANCED FLUE (SALISBURY, BEAUMONT, SHOREDITCH)		4.4kW to room	N/A	100mm internal 150mm external (REAR EXIT ONLY)	82.3 %	Sides 75mm Rear 100mm
LARGE GAS - COVENTIONAL FLUE (SALISBURY, BEAUMONT)		5.7kW to room	N/A	100mm (TOP EXIT ONLY)	82.1 %	Sides 75mm Rear 100mm
LARGE GAS - BALANCED FLUE (SALISBURY, BEAUMONT)		5.7kW to room	N/A	100mm internal 150mm external	82.1 %	Sides 75mm Rear 100mm

POSITIONING YOUR STOVE

The position of a stove has an enormous effect on the heat radiated into the room, as well as how well the room is insulated. Allowing a stove to sit further into the room allows a greater airflow to move around the stove, increasing the heat radiated into the room.

Pictured in the image below is an example of an installation which allows the heat to move around the stove, while also sitting within the surround, remaining a very practical and efficient installation option. We recommend a minimum distance of 100mm around the stove to allow for good air flow.



COLOUR PALETTE

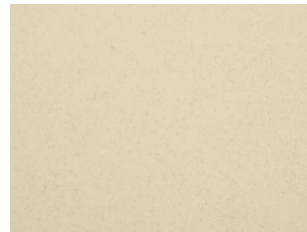
Our range of colours will allow you the flexibility to select a colour for your stove that will suit the decorative scheme in your home. For wood burning stoves these six colours are available:



Black



Silver



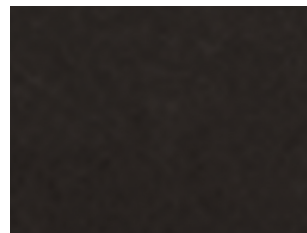
Parchment



Sage Green



Atlantic Blue



Autumn Leaf

Please note: The colour chart is intended as a guide only. Not all models are available in all colours from stock, some colours are special order, please consult your local stockist.

For gas stoves, the Salisbury, Beaumont and Shoreditch stoves are only available in the Black paint finish.



Chesneys pursues a policy of continuing improvement in design and performance of its products.
The right is therefore reserved to vary specifications without notice.

© Chesneys Group Limited MMXXII 2022

CHESNEYS

Locations

Our four beautifully appointed locations display a range of our fireplaces

Chelsea Design Studio -
570 Kings Road,
London SW6 2DY

Battersea -
194-196 Battersea Park Road,
London SW11 4ND

Telephone 020 7627 1410
Email sales@chesneys.co.uk

St Albans -
70 London Road,
St Albans AL1 1NG
Telephone 01727 743461
Email sales@chesneys.co.uk

All showrooms are open
Monday to Friday 9:00am – 5:30pm
Saturday 10:am – 5:00pm

Closed Bank Holidays.

For details of UK nationwide stockists:
Telephone 020 3177 4200
Email stockists@chesneys.co.uk

www.chesneys.co.uk

New York -
Suite 1119, 11th Floor,
D&D Building, 979 Third Avenue,
New York NY 10022
Telephone 001 646 840 0609
Email: sales@chesneys.com

www.chesneys.com