

ACQUISITIONS

— OF LONDON —



THE STOVE COLLECTION

INTRODUCING OUR BRITISH-MADE STOVES

If you're looking at this brochure, we can assume at least two things: you appreciate quality, and you care about the environment. A highly efficient, lower-cost heat source that uses genuinely renewable natural fuel, the wood-burning stove is steadily increasing in popularity once more. We are proud to add these elegant, free-standing cast iron and steel stoves to our extensive collection of top-quality fires; proud, too, that they are made exclusively by us at the UK's oldest stove foundry, established in 1854.

Matt Black, sleek Gunmetal or classic Ivory; multi-fuel or remote-controlled gas: our new stoves are specially designed to function beautifully in any setting, and can be set off to stunning effect by one of our famous surrounds. All are approved for use in smoke control areas, so whether you're a rural or urban type, whether your taste is traditional or modern, we've got the perfect model for you. Experience the superior styling, quality and performance of an Acquisitions stove – and enjoy that extra warm feeling that comes from heating your home responsibly.

CONTENTS

Efficient & Ecological	04
Bloomsbury Multi-fuel 5kW	06
Bloomsbury Multi-fuel 8kW	08
Bloomsbury Gas (natural gas)	10
Bloomsbury Gas (LPG)	12
Technical	14

Cover: Bloomsbury 5kW Multi-fuel stove in Gunmetal, shown with Lincoln limestone surround, Modern steel slips and limestone hearth. Opposite: Bloomsbury 5kW Multi-fuel stove in Black with Winchester limestone surround and hearth. See our full collection of mantels at www.acquisitions.co.uk



EFFICIENT & ECOLOGICAL

With controlled heat, an Acquisitions multi-fuel stove boasts up to 82% energy efficiency and is draught-free when idle. When wood burns, it only releases the amount of carbon dioxide it absorbed when it was growing, and no more than it would produce if it decayed naturally, so the process is carbon-neutral. Seasoned wood is best, as it burns slowly and gives out more heat; our multi-fuel designs can also burn smokeless solid fuel. Meanwhile our gas models are among the most heat-efficient on the market. With energy costs so unpredictable, it's reassuring to know that there's an economical alternative over which you have personal control.

An Acquisitions stove can be installed in any home with a lined chimney and/or appropriate flue – we're happy to advise you on this, as well as on positioning and hearth requirements. It should be fitted by a qualified HETAS or Gas Safe installer, and we or one of our retailing partners can help to organise this.

Cosiness with a conscience: choose a stove that provides maximum heat with impressively low emissions



BLOOMSBURY 5kW MULTI-FUEL

There's a romance to the traditional wood-burning stove that makes any room seem welcoming. We've taken the concept and made it our own, using sophisticated styling and proportions to create this unique, multi-fuel modern classic, precision-engineered in high-grade steel and cast iron. Pictured here in a versatile Gunmetal finish, with our imposing *Canterbury* limestone surround and matching hearth, the *Bloomsbury* is approved to burn both logs and smokeless fuels – even in town. The door and legs of this design are a harmonious blend of straight lines and curves, while the extra-wide window provides a generous flame picture. The stove has a slim profile, making it suitable even for shallower hearths, and incorporates the ingenious Afterburn™ self-cleaning system.

Whether you're in the city or the country, you can enjoy the beauty and warmth of a real wood or coal fire with this clean-burning multi-fuel stove



Gunmetal (as shown opposite)

Ivory

Black

DETAIL

- Steel & cast iron construction
- Gunmetal, Ivory or Black finish

Multi-fuel

- Logs or smokeless fuel
- Defra-approved for use in smoke control areas
- Heat output: 5kW (logs), 4.8kW (smokeless fuel)
- Efficiency: 82.1% (logs), 77.6% (smokeless fuel)
- Afterburn™ preheated secondary Airwash self-cleaning system
- No air vent required





BLOOMSBURY 8kW MULTI-FUEL

This deeper, more powerful stove is ideal for heating larger rooms. Like its 5kW counterpart, it makes itself perfectly at home in any style of environment, and can be used even in smoke control areas to burn both logs and smokeless solid fuel. It, too, is specially constructed to maximise combustion, reduce CO₂ emissions and stay cleaner than an ordinary stove. We've paid close attention to every design detail, right down to the shape of the door handle. Each of our stoves bears the Acquisition hallmark on a discreet, toning steel plate – a daily reminder, should you purchase one, of the quality in which you've rightly placed your trust. For the full effect, team the *Bloomsbury* with your favourite Acquisitions surround: here we've used our graceful *Springfield* design in limestone, with a matching hearth, but something more contemporary would work just as well.

The matt Ivory version of our elegant Bloomsbury design has a slightly more contemporary look yet is equally adaptable

DETAIL

- Steel & cast iron construction
- Gunmetal, Ivory or Black finish

- Multi-fuel
- Logs or smokeless fuel
 - Defra-approved for use in smoke control areas
 - Heat output: 7.6kW (logs), 7.1kW (smokeless fuel)
 - Efficiency: 77.8% (logs), 78.5% (smokeless fuel)
 - Afterburn™ preheated secondary Airwash self-cleaning system
 - Air vent required



Ivory (as shown opposite)

Gunmetal

Black

BLOOMSBURY GAS (natural gas)

If you love the aesthetic of a wood-burning stove but prefer less maintenance, here is the answer. With the same proportions and timeless design features as our 5kW multi-fuel model, this version offers the ease and convenience of gas – including a remote control with optional thermostatic programming. All you have to do is press a button, sit back and enjoy the show. Like the other models in the range, the stove can stand alone or be fitted into any standard fireplace opening, depending on your home and personal taste. Here we've paired the Black version of our cast iron and steel *Bloomsbury Gas* stove with our *Lincoln* fire surround in high-gloss, inky-black granite for a sense of interior drama.

The romance of a traditional wood-burning stove; the practicality of remote-controlled gas. Could this be the perfect match for you?



Black (as shown opposite)

Gunmetal

Ivory

DETAIL

- Steel & cast iron construction
- Black, Gunmetal or Ivory finish

Gas

- Natural gas (realistic log-effect)
- Heat output: 4.7kW
- Efficiency: 75%
- Remote control
- No air vent required





BLOOMSBURY GAS (LPG)

Rural retreat? New-build townhouse? If you want to heat with gas but do not have a natural gas supply, you can still welcome the character, classic detailing and wide flame picture of the Acquisitions *Bloomsbury* stove into your home. This steel and cast iron model with its realistic burning-logs effect has to be one of the most beautiful LPG options on the market – and because it is remote-controlled, it offers instant, effortless warmth. Not too deep in profile, it works with a wide variety of settings and fireplaces, forming an inviting centrepiece that brings any room to life. The Gunmetal finish pictured opposite is teamed with our *William IV Corbel* limestone surround and a matching boxed-and-lipped limestone hearth; but it would look equally comfortable in a simple country-cottage setting like the one on page 5.

Wherever you live, you can enjoy the company of our Bloomsbury stove – heart-warmingly traditional and reassuringly state-of-the-art

DETAIL

- Steel & cast iron construction
- Black, Gunmetal or Ivory finish

Gas

- LPG (realistic log effect)
- Heat output: 4.38kW
- Efficiency: 72%
- Remote control
- No air vent required



Black (as shown opposite)

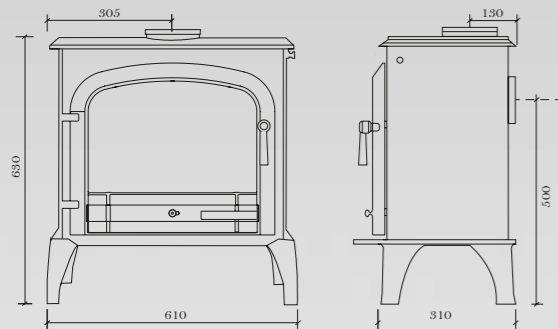
Gunmetal

Ivory



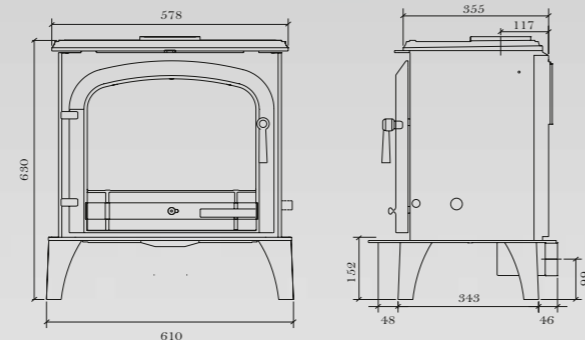
BLOOMSBURY 5kW MULTI-FUEL

- Available in Black (as shown), Gunmetal & Ivory finishes
- Steel & cast iron construction
- Logs or smokeless fuel
- Defra-approved for use in Smoke control areas
- Heat output: 5kW (logs), 4.8kW (smokeless fuel)
- Efficiency: 82.1% (logs), 77.6% (smokeless fuel)
- Afterburn™ preheated secondary Airwash self-cleaning system
- Flue diameter: 125mm/5"
- No air vent required



BLOOMSBURY 8kW MULTI-FUEL

- Available in Ivory (as shown), Black & Gunmetal finishes
- Steel & cast iron construction
- Logs or smokeless fuel
- Defra-approved for use in Smoke control areas
- Heat output: 7.6kW (logs), 7.1kW (smokeless fuel)
- Efficiency: 77.8% (logs), 78.5% (smokeless fuel)
- Afterburn™ preheated secondary Airwash self-cleaning system
- Flue diameter: 125mm/5"
- Air vent required

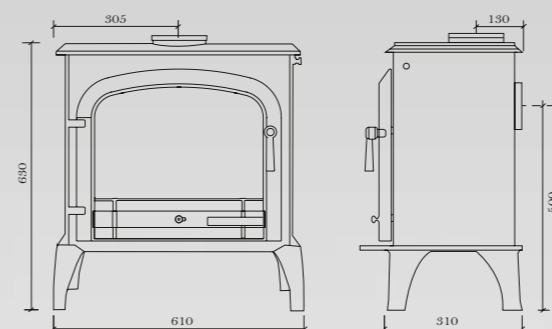


BLOOMSBURY GAS

- Available in Gunmetal (as shown), Black & Ivory finishes
- Steel & cast iron construction
- Realistic log effect
- Remote control
- Flue diameter: 125mm/5"
- No air vent required

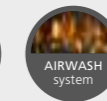
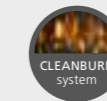
- Natural gas
- Heat output: 4.7kW
 - Efficiency: 75%

- LPG
- Heat output: 4.38kW
 - Efficiency: 72%



ACCESSORIES

STOVE ACCESSORIES
Air Kit For 8KW
Gas Stove Control Cover
Rear Flue Attachment
FLUE PIPE 125mm/5"
500mm Gunmetal
500mm Black
500mm Ivory
1000mm Gunmetal
1000mm Black
1000mm Ivory



Afterburn™ – Cleanburn and Airwash technology

The innovative Afterburn™ technology built in to our Bloomsbury multi-fuel stoves includes a Cleanburn system for superior thermal efficiency. Secondary, pre-heated air is introduced into the firebox to promote the combustion of unburnt hydrocarbons in the smoke, which means more heat is released into the room and less disappears up the chimney. In addition, a blanket of Airwash air is drawn down the inside of the glass, keeping the window clear for a better flame picture.



CE-marked and HETAS-accredited

The CE mark on all our Bloomsbury stoves confirms that they have undergone independent testing and conform to the stringent European standards for heating efficiency and emissions. Our multi-fuel stoves are accredited by HETAS, the UK body recognised by the government to approve solid-fuel domestic appliances, and are exempt under the Clean Air Act for use in smoke control areas.

Please note: for full specifications, installation requirements and warranty information, please refer to the product instructions: these can be found, along with stockist details, at www.acquisitions.co.uk. Installation should be carried out only by a suitably qualified individual and must comply with relevant building regulations. All specifications are approximate. We reserve the right to alter and improve products without prior notice. Products purchased may therefore differ in specification or appearance from those illustrated/described in this brochure and we strongly recommend viewing before purchase. Your statutory rights are unaffected. Our one-year warranty enhances your protection.



BRITISH MADE

ACQUISITIONS STOVES 15

ACQUISITIONS

OF LONDON



BRITISH MADE

Acquisitions Fireplaces Ltd

Acquisitions House
24-26 Holmes Road
London NW5 3AB
United Kingdom
Telephone: +44 (0)20 7482 2949
Fax: +44 (0)20 7267 4361
Email: sales@acquisitions.co.uk
Web: www.acquisitions.co.uk

© Acquisitions of London 2011. All rights reserved.
None of our designs or any part of this brochure
may be reproduced without prior written permission.
Our designs are protected as Registered Designs.

