

STOVAX
Fire Your Imagination

STUDIO FIRES

AND FREESTANDING STOVES



STOVAX

Fire Your Imagination

The fireplace is the heart of your home, a centrepiece to which friends and family gather...



INNOVATION & INSPIRATION...

The Studio range of cassette and freestanding fires has been designed to create a striking feature in your living space with their enticing widescreen flame visuals complemented by an extensive array of frames and styling options. The pure, simplistic form of the Studio belies the high levels of engineering and technical innovation that keeps this range not only at the forefront of twenty first century fire design, but also exceptional heating performance and controllability.



Woodburning

All Studio models are designed for woodburning only. Wood is an environmentally friendly fuel; when burnt, the carbon dioxide released into the atmosphere is approximately the same as that absorbed by the tree during growth. It is also a renewable resource, particularly when derived from plantations and cultivated woodland.



For optimum results, we recommend logs should be seasoned for 2 years or more to achieve a moisture content below 20%. This will not only give a higher output than of freshly felled timber but will also help to avoid a build up of tar in your flue. Furthermore, if you can obtain hardwood logs this is better still, as they will have a greatly increased calorific value compared to softwoods.



CE Marked & HETAS Accredited

All Studio fires in this brochure are CE Marked. This means they have been independently tested to exacting European standard for both heating efficiency, emissions and safety. They have also been accredited by HETAS, the UK's official body recognised by the government to approve solid fuel domestic heating appliances.



Smoke Control Area Approved

Many town and city homes are located in Smoke Control Areas as designated by the Clean Air Act 1993. The Studio 500, 1 & 2 Cassettes and Freestanding fires have been approved for the burning of wood in these areas. The Studio 2 Duplex has also been approved when fitted with the appropriate Smoke Control kit, meaning that even the most urban of homes can benefit from this environmentally friendly fuel source.



SIT BACK & RELAX...

Stovax's dedication to the development of premium quality stoves and fireplaces over the past 34 years has helped to make it one of Europe's leading specialist manufacturers. Now the company's expertise has brought woodburning technology to the very pinnacle of performance and design with the Studio range of fireplaces.

Expert Retailer Network

We take great care to ensure that our fires are designed, tested and manufactured to the highest possible quality and safety standards. We are just as concerned to make certain that they are sold and installed correctly so that you enjoy years of pleasure from your purchase.

Accordingly, you will find our products are only available from experienced, independent retailers who will be happy to show you a selection of models locally in their showrooms, often fully operational. These independent retailers will discuss your individual requirements both technical (such as sizing the heat output to your room and advising on your chimney system) and visual; and ensure that you select the most appropriate product for your home. They will also be able to advise on, or assist, with the installation process as well as help provide any after-sales support and servicing your appliance may require in the future.

Whilst we encourage our retailers to promote fireplace products and their outlets via the internet, we do not believe suitable levels of customer care and satisfaction can be obtained from purchasing the product only online and we would strongly recommend that you consider this when undertaking your research and making a purchasing decision. Furthermore, please be aware that we do not offer technical support (beyond our statutory responsibilities) to products bought via nationwide online sales, where this support would normally be offered by one of our qualified, independent retailers.

Extended Warranty

When you choose a Studio fire, quality and technology are assured. Accordingly, when you purchase your new fire from a Stovax Expert Retailer they will provide you with a Two Year Warranty. This can then be extended to a Five Year Warranty provided your Studio fire is registered with Stovax. Fires purchased outside Stovax's Expert Retailer Network will carry a standard 12 month warranty. Further details of this warranty are on page 49.



CHOOSING YOUR STUDIO FIRE...

To own a Studio is to make a design statement that will become a heart-warming focal point to your home. There are several different styling options, from the simple Edge or Cool Wall kits to the larger format Steel, Glass or Ceramic frames, there are even several Freestanding and Hearth mounted models to ensure that there will be a Studio just right for you.

STUDIO | CASSETTES



STUDIO | DUPLEX



STUDIO | FREESTANDING



Studio Edge and Edge 'Cool Wall'.....	10 - 11
Studio Edge +	12 - 13
Studio Profil	14 - 15
Studio Bauhaus	16 - 17
Studio Steel.....	18 - 19
Studio Steel XS.....	20 - 21
Studio Verve.....	22 - 23
Studio Glass.....	24 - 25
Studio Ceramica Wave.....	26 - 27
Studio Sorrento.....	28 - 29

Studio Duplex.....	30 - 33
--------------------	---------

Studio 500 Freestanding	34 - 35
Studio 1 Freestanding	36 - 37
Studio 2 Freestanding	38 - 39
Studio 3 Freestanding	40 - 41

STUDIO | HIGH EFFICIENCY FIRES



Stovax Studio fires feature the very latest cleanburn combustion systems, allowing them to burn logs with outstanding efficiency, resulting in more heat delivery into the room and less going up the chimney. This technological advancement is achieved by introducing preheated, secondary air into the firebox to burn the excess hydrocarbons in the smoke. Airwash air flow also helps keep the window clean, allowing you to enjoy the flames to the full.

Whether you choose a cassette or freestanding fire, your Studio will offer you full control of the flame aesthetics. From a lazy roll to a lively roar, you can adjust your fire to suit your mood. The doors on the Studio 500, 1 and 2 are hinged to the left whilst the larger Studio 3 doors open downwards, minimising the risk of ash falling beyond the hearth and into the room.



Studio Key Design Features

1. TCL (Technical Combustion Lining) High density thermal liner system
2. Heated air jets from cleanburn ports burn hydrocarbons in smoke
3. Airwash air flow for cleaner glass
4. Primary control with high setting for lighting & re-fueling
5. Removable handle (Studio 500, 1, 2 & 3) and door opening catch (Studio 500, 1 & 2)
6. Convected and radiant heat
7. Convected heat ducting system outlet
8. Easy fit flue connection
9. Removable steel and TCL baffles
10. External air facility ^o
11. Optional fan kit (cassettes only)
12. Optional 10° flue outlet (cassettes only - not illustrated)
13. Optional Warm Air Ducting Kit for multi-space heating (cassettes only - not illustrated)
14. Smoke Control Approved (Studio 500, 1 & 2 - Duplex requires Smoke Control Kit)



Registered European Design 001169338

* Illustration shows cassette fire with frame.

† When fitted with an Optional External Air Kit

o Fully sealed external air facility only on the Duplex model, open external air facility on all other cassette models.



Key Options & Accessories:

- Fireplace Tile Surrounds Please see page 51
- External air kit for all single sided cassettes RVS-AIR
- External air kit for Studio 2 Duplex RVST-2DSAIRHT
- Studio 500 Fan-assisted convection kit (240v) RVST-500FAN
- Studio 1 Fan-assisted convection kit (240v) RVST-SFAN
- Studio 2/3 Fan-assisted convection kit (240v) RVST-LFAN
- Warm air ducting kit* 8572
- 10° angled flue outlet** RVS-CA7589
- Smoke Control Kit - Studio 2 Duplex RVS-2DSSCKIT

* See page 48 for details.

** See page 43 for details.

Optional Fan Kit

Installing the optional fan kit into your Studio fire helps circulate combustion air, increasing burning efficiency and providing greater heat delivery into the room. With both manual and automatic settings, the fan kit is conveniently operated by the Studio Control Panel.



STUDIO | SIZE OPTIONS

Studio cassettes are available in five sizes including the double sided Studio 2 Duplex, each with a wide variety of frame options. From glass and steel to ceramic and stone, there will be a frame to suit your own personal taste and style. Alternatively the Studio can be fitted with an Edge kit for a more minimalist appearance. This brochure is organised by frame style - but your first decision is to identify the correct Studio size and heat output for your room, and then select the frame style to suit your home.

Studio Sizes



Studio 500



Studio 1



Studio 2



Studio 2 Duplex (see pages 30 - 33 for further details)



Studio 3

	Nominal Heat Output	Heat Output Range	Maximum Efficiency	Energy Efficiency Class	Maximum Log Length	Dimensions* mm (w x h x d)	Freestanding Stove Model Available	Flue Connection (internal diameter)
Studio 500	5.0kW	1.7 - 7.0kW	80%	A	250mm (10")	555 x 415 x 350	✓	153mm (6")
Studio 1	5.0kW	1.7 - 7.0kW	75%	A	300mm (12")	745 x 415 x 350	✓	153mm (6")
Studio 2	8.0kW	2.8 - 11.0kW	75%	A	400mm (16")	950 x 440 x 350	✓	153mm (6")
Studio 2 Duplex	9.0kW	3.5 - 12.0kW	75%	A	400mm (16")	950 x 550 x 402-414 ^o	✗	153mm (6")
Studio 3	11.0kW	3.8 - 16.0kW	76%	A	500mm (20")	1332 x 450 x 393	✓	153mm (6")

* Firebox dimensions † Adjustable depth

Please note the above information is an overview only.
For further technical information please see pages 42 - 48.



Studio 2 Profil shown with Illusion White 60 x 30cm Fireplace Tile Surround.

STUDIO | STYLING OPTIONS

These pages outline the many different frame options available for the Studio fires, all of which are shown in detail throughout the brochure. From the frameless Edge to the impressive Verve, these frame options have all been designed specifically to complement the visuals of the Studio cassette and offer you a spectrum of different styles and materials. There are even Freestanding and Hearth mounted versions so you can be sure to find a fire that will be perfect for your home, making your Studio a focal point that the whole family will warm to.



Frame Summary

Styling Options	Pages	Studio 500	Studio 1	Studio 2	Studio 2 Duplex	Studio 3
Edge/Edge'Cool Wall'	10 - 11	✓	✓	✓	✓	✓
Edge +	12 - 13	✓	✓	✓	✓	✓
Profil	14 - 15	✓	✓	✓	✓	✓
Bauhaus	16 - 17	✓	✓	✓	✓	✓
Steel	18 - 19	✓	✓	✓	✓	✓
Steel XS	20 - 21	✓	✓	✓	✓	✓
Verve	22 - 23	✓	✓	✓	✓	✓
Glass	24 - 25	✓	✓	✓	✓	✓
Ceramica Wave	26 - 27	-	✓	✓	✓	-
Sorrento	28 - 29	-	✓	✓	✓	-
Freestanding <small>(Complete Product)</small>	34 - 41	✓	✓	✓	-	✓

Studio Visualiser iPad App



To aid you with your fire selection, you can download the Stovax Studio Visualiser app for your iPad. Convenient and easy to use, the app gives you a visual concept of having a real Studio in your room. Please see page 50 for further information.

Fireplace Tile Surrounds

Stovax has designed a unique collection of 34 porcelain and natural stone tiles to complement your Studio installation.

Our fireplace tiles are the perfect enhancement, creating the ultimate contemporary look and adding further tonal and textural interest to a room. Whether you choose to set off your Studio with contrasting colours or add to your existing palette, there are many possibilities and ways to ensure your Studio is perfectly suited to your home and decorative tastes. Please see page 51 for further information.





Studio Edge



Studio Edge +



Studio Freestanding



Studio Glass



Studio Profil



Studio Bauhaus - Polished Stainless Steel



Studio Bauhaus - Metallic Black



Studio Steel XS



Studio Sorrento - Natural Limestone



Studio Sorrento - Polished Black Granite



Studio Verve (horizontal curve)

(aerial view below)



Studio Steel



Studio Ceramica Wave - Graphite



Studio Ceramica Wave - Oyster White



Studio Ceramica Wave - Oyster White & Graphite



STUDIO | EDGE & EDGE 'COOL WALL'



Studio 3 Frameless Edge.

The Studio Edge is for those who require minimalist modern perfection. This contemporary fire has a seamless no-frame design, allowing your home's interior to frame and enhance the roaring flames. Combine this with the optional fan-assisted convection system and you can boost the flow of heat into your room whilst providing a beautiful focal point.

Further images of the Studio Edge is shown on page 47 & 49.

Fire Size	Nominal Heat Output & Range	Energy Efficiency Class	Max. Log Length	Edge Frame Size mm (w x h)	Edge 'Cool Wall' Frame Size mm (w x h)
Studio 500	5kW (1.7 - 7kW)	A	250mm (10")	550 x 421*	550 x 428*
Studio 1	5kW (1.7 - 7kW)	A	300mm (12")	743 x 421*	743 x 428*
Studio 2	8kW (2.8 - 11kW)	A	400mm (16")	943 x 446*	943 x 453*
Studio 2 Duplex	9kW (3.5 - 12kW)	A	400mm (16")	943 x 457*	943 x 457*
Studio 3	11kW (3.8 - 16kW)	A	500mm (20")	1330 x 451*	1330 x 463*

*Dimensions given are those overall visible upon installation. Once installed, Edge kits are flush with the finished wall surface. Edge 'Cool Wall' kits are recessed 28mm (Studio 500, 1 & 2) or 13mm (Studio 3) from the finished surface.



For detailed technical information, including firebox dimensions see pages 42 - 48.

STUDIO | EDGE +



Studio 2 Edge +.

As a continuation from the Studio Edge, the Edge + provides a similarly frameless 'hole in the wall' fire look, yet offers the additional benefit of a more simplified finishing process. A slim profile decorative frame, crafted from 1mm thick steel, overlays the finished wall surface and provides a perfectly crisp finish around the installation opening.

With a complementary Matt Black finish, the Studio Edge + is a sophisticated and functional styling option that simply lets the Studio's impressive flame picture provide all the aesthetic appeal!

Frame Finish

Metallic Black

Once installed, Edge kits are flush with the finished wall surface. Edge + kits includes decorative frame

Fire Size	Nominal Heat Output & Range	Energy Efficiency Class	Max. Log Length	Frame Size mm (w x h x d)
Studio 500	5kW (1.7 - 7kW)	A	250mm (10")	592 x 463 x 1*
Studio 1	5kW (1.7 - 7kW)	A	300mm (12")	785 x 463 x 1*
Studio 2	8kW (2.8 - 11kW)	A	400mm (16")	983 x 488 x 1*
Studio 2 Duplex	9kW (3.5 - 12kW)	A	400mm (16")	983 x 497 x 1*
Studio 3	11kW (3.8 - 16kW)	A	500mm (20")	1372 x 493 x 1*

*Dimensions given are those overall visible upon installation. For detailed technical information, including firebox dimensions see pages 44 - 49.





STUDIO | PROFIL



Studio 1 Profil in Metallic Black.

The Studio Profil features timeless styling that fits in perfectly with virtually all interiors. In addition, by fitting the optional ducting system you can also heat up to two adjacent living spaces with your Studio 500, 1, 2 and 2 Duplex and up to four when you chose a Studio 3.

Frame Finish
Metallic Black

Fire Size	Nominal Heat Output & Range	Energy Efficiency Class	Max. Log Length	Frame Size mm (w x h x d)
Studio 500	5kW (1.7 - 7kW)	A	250mm (10")	646 x 517 x 33
Studio 1	5kW (1.7 - 7kW)	A	300mm (12")	839 x 517 x 33
Studio 2	8kW (2.8 - 11kW)	A	400mm (16")	1039 x 542 x 33
Studio 2 Duplex	9kW (3.5 - 12kW)	A	400mm (16")	1089 x 592 x 33
Studio 3	11kW (3.8 - 16kW)	A	500mm (20")	1426 x 547 x 45

For detailed technical information, including firebox dimensions see pages 42 - 48.





STUDIO | BAUHAUS



Studio 3 Bauhaus in Polished Stainless Steel

The Studio Bauhaus is a classic three dimensional tapered frame. This frame comes in five finishes and is offered on all sizes of Studio fires, enabling you to perfectly match the Bauhaus to the size and style of your room. Whether you opt for the contemporary Polished Stainless Steel or the refined lines of the Metallic Black finish, the Studio Bauhaus will heat your home in flawless style.

Frame Finishes

Metallic Black and Polished Stainless Steel

Fire Size	Nominal Heat Output & Range	Energy Efficiency Class	Max. Log Length	Frame Size mm (w x h x d)
Studio 500	5kW (1.7 - 7kW)	A	250mm (10")	657 x 528 x 36
Studio 1	5kW (1.7 - 7kW)	A	300mm (12")	850 x 526 x 36
Studio 2	8kW (2.8 - 11kW)	A	400mm (16")	1050 x 554 x 36
Studio 2 Duplex	9kW (3.5 - 12kW)	A	400mm (16")	1090 x 594 x 36
Studio 3	11kW (3.8 - 16kW)	A	500mm (20")	1437 x 559 x 49

For detailed technical information, including firebox dimensions see pages 42 - 48.





STUDIO | STEEL



Studio 2 Steel in Metallic Black

The Studio Steel is for those with large spaces who wish to create a greater presence with their choice of fireplace. Finished in Metallic Black, the Studio Steel's wide frame instantly creates a distinctive and individual focal point.

Frame Finish
Metallic Black

Fire Size	Nominal Heat Output & Range	Energy Efficiency Class	Max. Log Length	Frame Size mm (w x h x d)
Studio 500	5kW (1.7 - 7kW)	A	250mm (10")	1010 x 567 x 3
Studio 1	5kW (1.7 - 7kW)	A	300mm (12")	1203 x 567 x 3
Studio 2	8kW (2.8 - 11kW)	A	400mm (16")	1439 x 622 x 3
Studio 2 Duplex	9kW (3.5 - 12kW)	A	400mm (16")	1439 x 622 x 3
Studio 3	11kW (3.8 - 16kW)	A	500mm (20")	1926 x 647 x 3

For detailed technical information, including firebox dimensions see pages 42 - 48.





Studio 3 Steel in Metallic Black. Also shown: Large Ironworks log holder and tool set also available from Stovax.

STUDIO | STEEL XS



Studio 1 Steel XS in Metallic Black.
Also shown Stovax Highline log holder.

The Steel XS offers the same minimal styling of the Steel frame but with slimmer proportions to suit narrower walls or spaces. The Steel XS comes in smart Metallic Black finish.

Please see page 2 for additional image of the Studio 3 Steel XS.

Frame Finish
Metallic Black

Fire Size	Nominal Heat Output & Range	Energy Efficiency Class	Max. Log Length	Frame Size mm (w x h x d)
Studio 500	5kW (1.7 - 7kW)	A	250mm (10")	688 x 567 x 3
Studio 1	5kW (1.7 - 7kW)	A	300mm (12")	881 x 567 x 3
Studio 2	8kW (2.8 - 11kW)	A	400mm (16")	1111 x 622 x 3
Studio 2 Duplex	9kW (3.5 - 12kW)	A	400mm (16")	1111 x 622 x 3
Studio 3	11kW (3.8 - 16kW)	A	500mm (20")	1518 x 647 x 3

For detailed technical information, including firebox dimensions see pages 42 - 48.





STUDIO | VERVE



Studio 2 Verve in Metallic Black



The Verve adds a curved 3D frame to the Studio fire range. A statement frame to create a designer look, the Verve is finished in Metallic Black and is available in all Studio sizes.

Fire Size	Nominal Heat Output & Range	Energy Efficiency Class	Max. Log Length	Frame Size mm (w x h x d)
Studio 500	5kW (1.7 - 7kW)	A	250mm (10")	1010 x 567 x 40
Studio 1	5kW (1.7 - 7kW)	A	300mm (12")	1203 x 567 x 48
Studio 2	8kW (2.8 - 11kW)	A	400mm (16")	1440 x 622 x 59
Studio 2 Duplex	9kW (3.5 - 12kW)	A	400mm (16")	1440 x 622 x 59
Studio 3	11kW (3.8 - 16kW)	A	500mm (20")	1927 x 674 x 83

For detailed technical information, including firebox dimensions see pages 42 - 48.

Frame Finish
Metallic Black





STUDIO | GLASS



Studio 1 Glass

With its crisp lines and reflective surface, the Studio Glass offers you a complete focal point around which to create your very own distinctive decorative style.

This sleek frame is available in all Studio sizes, giving you the versatility to match your personal design and heating needs.

Frame Finish

Black Glass

Fire Size	Nominal Heat Output & Range	Energy Efficiency Class	Max. Log Length	Frame Size mm (w x h x d)
Studio 500	5kW (1.7 - 7kW)	A	250mm (10")	1016 x 573 x 8
Studio 1	5kW (1.7 - 7kW)	A	300mm (12")	1209 x 573 x 8
Studio 2	8kW (2.8 - 11kW)	A	400mm (16")	1445 x 628 x 8
Studio 2 Duplex	9kW (3.5 - 12kW)	A	400mm (16")	1445 x 628 x 8
Studio 3	11kW (3.8 - 16kW)	A	500mm (20")	1932 x 653 x 8

For detailed technical information, including firebox dimensions see pages 42 - 48.







STUDIO | CERAMICA WAVE



Studio 1 Ceramica Wave in Graphite & Oyster White.

The very latest in fire design, it is hard not to warm to the outstanding modern appeal of the Studio Ceramica Wave. Specially designed for contemporary living, this stunning frame is available in a choice of three finishes for the Studio 1, 2 and 2 Duplex.

Whether you opt for the dramatic all Graphite frame, the minimalist Oyster White frame or the contrasting Graphite and Oyster White frame, the Studio Ceramica Wave will create an impressive focal feature - even when the fire is off.

Frame Finishes

Complete Graphite, Complete Oyster White or Oyster White frame with Graphite panels

Fire Size	Nominal Heat Output & Range	Energy Efficiency Class	Max. Log Length	Frame Size mm (w x h x d)
Studio 1	5kW (1.7 - 7kW)	A	300mm (12")	1480 x 665 x 19
Studio 2	8kW (2.8 - 11kW)	A	400mm (16")	1880 x 690 x 19
Studio 2 Duplex	9kW (3.5 - 12kW)	A	400mm (16")	1880 x 690 x 19

For detailed technical information, including firebox dimensions see pages 42 - 48.



STUDIO | SORRENTO



Studio 1 Sorrento in Polished Black Granite

If you wish to hearth mount your Studio then the graceful Sorrento presents the perfect solution. Crafted from either elegant limestone or striking polished black granite, the addition of this surround offers a designer focal point around which to create your own individual decorative style.

The solid stone Sorrento is the perfect enhancement to the already impressive Studio fire, ensuring that your fireplace remains at the heart of your home - even when it isn't burning!

Frame Finishes

Polished Black Granite or Natural Limestone

Fire Size	Nominal Heat Output & Range	Energy Efficiency Class	Max. Log Length	Frame Size mm (w x h x d)
Studio 1	5kW (1.7 - 7kW)	A	300mm (12")	1338 x 678 x 300
Studio 2	8kW (2.8 - 11kW)	A	400mm (16")	1536 x 703 x 300
Studio 2 Duplex	9kW (3.5 - 12kW)	A	400mm (16")	1536 x 703 x 300

For detailed technical information, including firebox dimensions see pages 42 - 48.





STUDIO | DUPLEX

The Studio range has long been appreciated for its widescreen flame picture, high efficiency output and extensive selection of frame style choices. The Studio 2 Duplex has been introduced to offer a heat output of up to 9kW and exceptional views of the flames which can be enjoyed from two rooms at once creating an eye-catching feature and plenty of warmth and ambiance for your home.

The high efficiency, double-sided Studio 2 Duplex fire offers the ultimate stylish solution to practical dual space heating and a truly awe-inspiring focal point for your home.

Key Features



1. TCL (Technical Combustion Lining) High density thermal liner system
2. Heated air jets from cleanburn ports burn hydrocarbons in smoke
3. Airwash air flow
4. Primary control
5. Removable handle and door opening catch
6. Convected and radiant heat
7. Convected heat ducting system outlet
8. Easy fit flue connection
9. Removable baffles
10. Optional fully sealed external air facility
11. Optional Smoke Control Kit (not illustrated)



Studio 2 Duplex Bauhaus in Metallic Black

Duplex Frame Options

The Studio 2 Duplex has the benefit of dual styling possibilities, allowing you to select a different look for each side of the fire - offering double the impact in your home. Whether opting for a minimalist Edge look with its frameless design or the sparkling, reflective black Glass frame, there are a selection of frame styles that will attract the eye and enhance your two interior spaces. A selection of the stylish frame choices are shown overleaf, however for a complete frame style reference, please see pages 8 - 9.

Fully Sealed External Air Supply

The Studio Duplex also benefits from an optional External Air Combustion Facility. By removing the need of an air vent in your room†, this offers a draught-free provision of air for combustion giving extra comfort to your home.



† Subject to a successful spillage test.





STUDIO | DUPLEX



Studio 2 Duplex Edge

One of the latest exciting additions to the Studio range is the Studio 2 Duplex - offering unrivalled flame pictures in two rooms at once! With a wealth of frame options to choose from, the Studio 2 Duplex can be styled completely independently on either side to maximise the potential of your own decorative tastes.

The Duplex produces an impressive 9kW heat output, is up to 75% efficient and provides an impressive visual focal point in two rooms at once.

Frames Available

Edge, Edge 'Cool Wall', Edge +, Profil, Bauhaus, Steel, Steel XS, Verve, Glass, Ceramica Wave & Sorrento

Fire Size	Nominal Heat Output & Range	Energy Efficiency Class	Max. Log Length
Studio 2 Duplex	9kW (3.5 - 12kW)	A	400mm (16")

For detailed technical information, including firebox dimensions see pages 42 - 48.



STUDIO | 500 FREESTANDING



*Studio 500 Freestanding on a 100 Low Riva Bench.
Also shown: Medium log holder also available from Stovax.*

The Studio 500 Freestanding is a new addition to the range, further extending and complementing the already impressive choice of Studio fires available. This high performing fire has a compact, yet innovative design, broadening the Studio's versatility and suitability to a variety of homes.

With a heat output to match that of the Studio 1, the 500 will provide ambiance and warmth to a cosy inglenook. It can also be teamed with a number of optional extras including the black glass top plate for a sleek and shining finish. The 500 can also be placed on one of our Riva Benches to create a real style statement - see page 46 for further details

Nominal Heat Output & Range	5kW (1.7 - 7kW)
Energy Efficiency Class	A
Max. Log Length	250mm (10")
Stove Dimensions mm (w x h x d)	607 x 479 x 382

Key Options and Accessories

- Black Glass Top Plate
- Decorative Black Flue Ring Cover
- Decorative Square Section Flue Cover (215 x 1800 x 212mm - w x h x d)
- Stove Bench Compatible
- Heat Shield Kit (when fitted to a Riva Bench)
- External Air Kit

For detailed technical information, including firebox dimensions see pages 42 - 48.





*Studio 1 Freestanding on 120 High Bench with Black Glass
Top Plate and Gloss Black Enamelled Flue Pipe*



STUDIO | 1 FREESTANDING



Studio 1 Freestanding with Black Glass Top Plate and Decorative Square Section Flue cover

The Studio 1 Freestanding incorporates the impressive firebox performance of a cassette fire with the welcoming presence of a stove. Available with a number of optional extras to help you create the right look for your home, the Studio 1 Freestanding can be hearth mounted or installed on a Riva Bench. An optional heat shield kit can be fitted to the bench in order to reduce the distance to combustible materials if required.

Other styling options include a black glass top plate, gloss black enamel flue pipe, square section flue covers and flue ring covers, all of which are designed to provide an integrated and cohesive look to your new fire.

Nominal Heat Output & Range	5kW (1.7 - 7kW)
Energy Efficiency Class	A
Max. Log Length	300mm (12")
Stove Dimensions mm (w x h x d)	800 x 479 x 380

Key Options and Accessories

- Black Glass Top Plate
- Decorative Black Flue Ring Cover
- Decorative Square Section Flue Cover (215 x 1800 x 212mm - w x h x d)
- Stove Bench Compatible
- Heat Shield Kit (when fitted to a Riva Bench)
- External Air Kit

For detailed technical information, including firebox dimensions see pages 42 - 48.



STUDIO | 2 FREESTANDING



Studio 2 Freestanding on 140 Low Bench with gloss black enamelled flue pipe and black flue ring cover

This Freestanding version of the Studio 2 offers you up to 8kW of heating capacity as well as superb views of the flames. Featuring exactly the same firebox attributes as other Studios, the Freestanding version may be mounted on a hearth or installed onto your choice of six optional Riva Benches.

You can also specify options such as a black glass top plate, gloss black enamel flue pipe, and square section flue cover to create your own bespoke look. An optional heat shield kit can be fitted to the bench in order to reduce the distance to combustible materials if required.

See additional images on pages 3 and 49.



Nominal Heat Output & Range	8kW (2.8 - 11kW)
Energy Efficiency Class	A
Max. Log Length	400mm (16")
Stove Dimensions mm (w x h x d)	1000 x 504 x 380

Key Options and Accessories

- Black Glass Top Plate
- Decorative Black Flue Ring Cover
- Decorative Square Section Flue Cover (215 x 1800 x 212mm - w x h x d)
- Stove Bench Compatible
- Heat Shield Kit (when fitted to a Riva Bench)
- External Air Kit

For detailed technical information, including firebox dimensions see pages 42 - 48.

Studio 2 Freestanding with black glass top plate and decorative square section flue cover. Also shown: Ironworks Loop tool set also available from Stovax.





*Studio 3 Freestanding on Riva 180 High Bench
with Black Glass Top Plate*

STUDIO | 3 FREESTANDING



Studio 3 Freestanding with Black Glass Top Plate

The largest in the range is the striking Studio 3 Freestanding. This highly efficient and visually impressive fire has the same 11kW of heat output and stunning widescreen views of the flames as its cassette equivalent but offers a very different look.

Designed to be sited on the optional Riva 180 Bench, or hearth mounted to achieve the distinctive stove look, the Studio 3 Freestanding will create maximum visual impact in rooms of larger proportions. It also has the ability to be fitted with an optional rear heat shield to reduce the distance to combustible materials behind the appliance.

Nominal Heat Output & Range	11kW (3.8 - 16kW)
Energy Efficiency Class	A
Max. Log Length	500mm (20")
Stove Dimensions mm (w x h x d)	1389 x 516 x 445

Key Options and Accessories

Black Glass Top Plate
Decorative Black Flue Ring Cover
Decorative Square Section Flue Cover (215 x 1800 x 212mm - w x h x d)
Stove Bench Compatible
Heat Shield Kit (when fitted to a Riva Bench)
External Air Kit

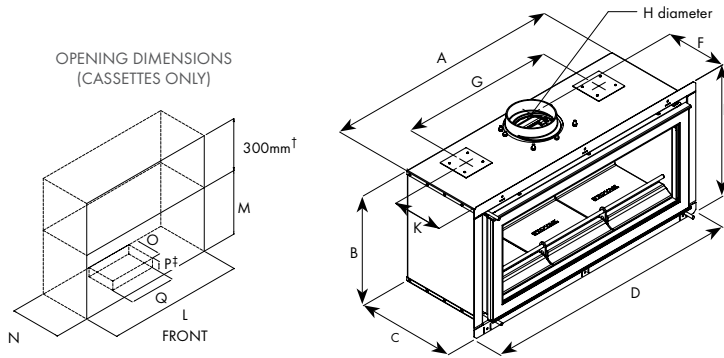
For detailed technical information, including firebox dimensions see pages 42 - 48.



STUDIO | DIMENSIONS

A HETAS approved installer should undertake a site survey prior to purchase and must install any Studio Fire or Stove. Your Stovax retailer will be able to advise on this and, in particular, the use of high temperature (1300°C) plaster/screed in the area around Studio Cassettes and Stoves. You may view/download complete installation instructions at our website - www.stovax.com. These diagrams cover some of the basic requirements. All fires and stoves should be installed by a competent person to the requirement of Building Regulations (Document J) and include the fitting of adequate ventilation to ensure safe use. Usually older buildings do not need any additional ventilation for appliances up to 5kW, but modern houses will need additional ventilation in all cases. Some models can be fitted with an optional External Air Kit, or dedicated external air supply, offering a discreet and draught reducing solution to standard room venting. The diagrams and dimensions on these pages cover some of the basic requirements and are for initial information purposes only.

CASSETTES



CASSETTE DIMENSIONS

(all dimensions in mm)	Studio 500	Studio 1	Studio 2	Studio 3
A	552	745	950	1332
B	415	415	440	450
C	350	350	350	393
D	628	821	1019	1406
E	497	497	522	532
F	246	246	246	291
G	380	480	610	610/1010*
H Ø	153	153	153	153
K	240	240	240	275
L	562	755	960	1342
M	435	435	460	470
N	355	355	355	405
O	100	100	115	115
P	25	25	25	25
Q	365	605	750	750
Flame Viewing Window (W x H)	397 x 263	590 x 263	790 x 289	1177 x 286
Weight	88kg	91Kg	112Kg	175Kg

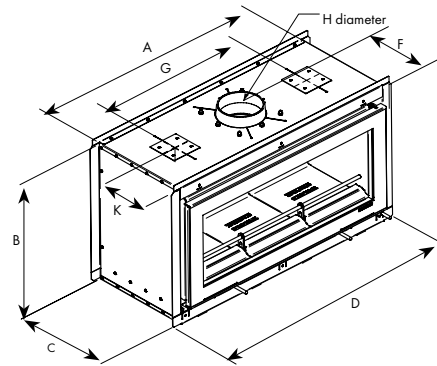
† Extra height required when fitting Warm Air Ducting kit. ‡ If a fan kit is required, please allow 250mm for fitting.

* Studio 500 1, 2 & 2 Duplex models have two air duct outlets whilst Studio 3 models have four.

Please refer to installation manual for minimum distances to combustible materials.

The Studio 500 has been specifically designed to fit into a standard 22" British fireplace opening meaning additional building work is not required.

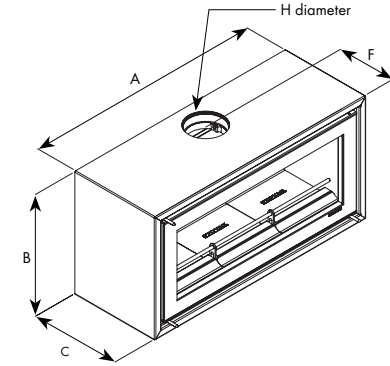
DUPLEX



DUPLEX DIMENSIONS

Studio 2 Duplex
950
550
402 - 414♦
1020
-
200
610
153
200
-
-
-
-
-
-
-
-
-
790 x 289
166Kg

FREESTANDING



FREESTANDING DIMENSIONS **

Studio 500 FS	Studio 1 FS	Studio 2 FS	Studio 3 FS
607	800	1000	1389
479	479	504	516
382	380	380	445
-	-	-	-
-	-	-	-
260	260	260	325
-	-	-	-
153	153	153	153
-	-	-	-
-	-	-	-
-	-	-	-
-	-	-	-
-	-	-	-
-	-	-	-
-	-	-	-
397 x 263	590 x 263	790 x 289	1177 x 286
95Kg	105Kg	130Kg	185Kg

** For complementary benches to go with the Freestanding models, please see information provided on page 48.

♦ Adjustable depth.

STUDIO | INFORMATION

STUDIO CASSETTE FIRE INFORMATION & PRODUCT CODES

Product Code	Description	Heat Output	Fuel Type	Efficiency	Energy Efficiency Class
RVST-500	Studio 500 Cassette Fire ✓	5.0kW	Wood	80%	A
RVST-1HT	Studio 1 Cassette Fire ✓	5.0kW	Wood	75%	A
RVST-2HT	Studio 2 Cassette Fire ✓	8.0kW	Wood	75%	A
RVST-2DSHT	Studio 2 Duplex Double Sided Cassette Fire ✓	9.0kW	Wood	75%	A
RVST-3HT	Studio 3 Cassette Fire	11.0kW	Wood	75%	A

✓ These models are approved for use in Smoke Control Areas as standard and do not require an additional Smoke Control Kit.

✓ The Studio 2 Duplex is approved for use in Smoke Control Areas when fitted with an optional Smoke Control Kit.

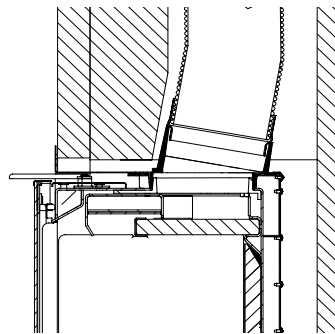
STUDIO CASSETTE FIRE ACCESSORY PRODUCT CODES

Product Code	Description
RVS-AIR	External Air Combustion Kit (suitable for all single sided Studio cassettes)
RVST-2DSAIRHT	External Air Combustion Kit (suitable for Studio 2 Duplex only)
RVS-CA7589	10° Angled Flue Outlet (see below for information)
RVST-500FAN	Fan-assisted convection kit - Studio 500
RVST-SFAN	Fan-assisted convection kit - Studio 1
RVST-LFAN	Fan-assisted convection kit - Studio 2* & 3
8572	Warm Air Ducting Kit (suitable for all Studio Cassettes)
RVS-2DSSCKIT	Smoke Control Area Kit for Studio 2 Duplex

* Not suitable for Studio 2 Duplex (Double Sided)

STUDIO - 10° ANGLED FLUE OUTLET

This optional flue outlet for the Studio Cassettes offers greater installation flexibility and ease, especially in larger openings with deeper lintels.



STUDIO FREESTANDING INFORMATION & PRODUCT CODES

Product Code	Description	Heat Output	Fuel Type	Efficiency	Energy Efficiency Class
RVFST-500	Studio 500 Freestanding ✓	5.0kW	Wood	80%	A
RVFST-1HT	Studio 1 Freestanding ✓	5.0kW	Wood	75%	A
RVFST-2HT	Studio 2 Freestanding ✓	8.0kW	Wood	75%	A
RVFST-3HT	Studio 3 Freestanding	11.0kW	Wood	76%	A

✓ These models are approved for use in Smoke Control Areas as standard and do not require an additional Smoke Control Kit.

STUDIO FREESTANDING ACCESSORY PRODUCT CODES

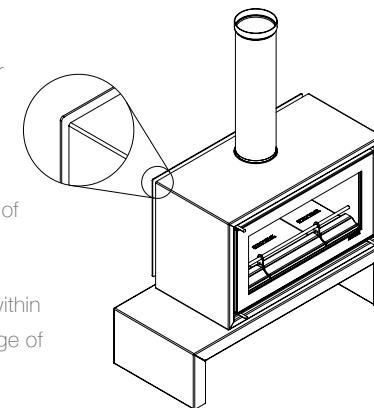
Product Code	Description
RVFS-SFCO	Square section decorative flue cover (215 x 1800 x 212mm - w x h x d)
RVFS-500GB	Black Glass Top Plate - Studio Freestanding 500
RVFS-1GB	Black Glass Top Plate - Studio Freestanding 1
RVFS-2GB	Black Glass Top Plate - Studio Freestanding 2
RVFS-3GB	Black Glass Top Plate - Studio Freestanding 3
RVAC220B	6" Decorative Black Flue Collar Cover for Studio Freestanding**
RVFS-500HSK	Heat Shield Kit - Studio Freestanding 500
RVFS-1HSK	Heat Shield Kit - Studio Freestanding 1
RVFS-2HSK	Heat Shield Kit - Studio Freestanding 2
RVFS-3HSK	Heat Shield Kit - Studio Freestanding 3
RVS-AIR	External Air Combustion Kit

** Decorative flue collar covers are only suitable when no optional Black Glass Top Plate is used.

STUDIO FREESTANDING HEAT SHIELDS

Stovax has introduced a range of highly effective Heat Shields for the Studio Freestanding range. Available for all sizes of Freestanding models: Studio 500, 1, 2 and 3, and only when fitted to a Riva Bench, these fantastic additions allow a reduction of up to 85% in the distance to combustible materials at the rear of the appliance – reducing this to just 75mm.

The Studio Heat Shields not only maximise the available space within the room, but they also enable you to accommodate a wider range of materials in your interior design.



STUDIO | FRAME INFORMATION

STUDIO 500 FRAME DIMENSIONS (MM) & PRODUCT CODES

Product Code	Description	Width	Height	Depth
RVS-500FPRO4	Profil [◊] (Metallic Black)	646	517	33
RVS-500FSTHT	Steel [◊] (Metallic Black)	1010	567	3
RVS-500FSTXS	Steel XS (Metallic Black)	688	567	3
RVS-500FGBHT	Glass [◊]	1016	573	8
RVS-500FV	Verve (Metallic Black)	1010	567	48
RVS-500FB	Bauhaus (Metallic Black)	657	528	49
RVS-500FBP	Bauhaus (Polished Stainless Steel)	657	528	49
Options				
RVS-500FEK	Edge Kit	696	567	34*
RVS-500FCWK	Edge 'Cool Wall' Kit	700	578	59**
RVS-500FEPLUS	Edge + Kit [†]	700	573	34**

STUDIO 1 FRAME DIMENSIONS (MM) & PRODUCT CODES

Product Code	Description	Width	Height	Depth
RVS-1FPRO4	Profil [◊] (Metallic Black)	839	517	33
RVS-1FSTHT	Steel [◊] (Metallic Black)	1203	567	3
RVS-1FSTXS	Steel XS (Metallic Black)	881	567	3
RVS-1FGBHT	Glass [◊]	1209	573	8
RVS-1FCWG	Ceramica Wave [◊] (Graphite)	1480	665	19
RVS-1FCWW	Ceramica Wave [◊] (Oyster White)	1480	665	19
RVS-1FCWGW	Ceramica Wave [◊] (Graphite & Oyster White)	1480	665	19
RVS-1FV	Verve (Metallic Black)	1203	567	48
RVS-1FB	Bauhaus (Metallic Black)	850	526	36
RVS-1FBP	Bauhaus (Polished Stainless Steel)	850	526	36
RVS-1FSNL	Sorrento (Natural Limestone)	1338	678	300
RVS-1FSPG	Sorrento (Polished Black Granite)	1338	678	300
Options				
RVS-1FEK	Edge Kit	889	567	34*
RVS-1FCWK	Edge 'Cool Wall' Kit	893	578	59**
RVS-1FEPLUS	Edge + Kit [†]	893	573	34**

* Once installed, Edge Kits are flush with the finished wall surface.

** Once installed, Edge 'Cool Wall' Kits are recessed 28mm (Studio 1, 2 & 2 Duplex) or 13mm (Studio 3) from the finished surface.

Depth is adjustable between 32mm and 52mm between Edge + frame and kit when fitted.

STUDIO 2 FRAME DIMENSIONS (MM) & PRODUCT CODES

Product Code	Description	Width	Height	Depth
RVS-2FPRO4	Profil [◊] (Metallic Black)	1039	542	33
RVS-2FSTHT	Steel [◊] (Metallic Black)	1439	622	3
RVS-2FSTXS	Steel XS (Metallic Black)	1111	622	3
RVS-2FGBHT	Glass [◊]	1445	628	8
RVS-2FCWG	Ceramica Wave [◊] (Graphite)	1880	690	19
RVS-2FCWW	Ceramica Wave [◊] (Oyster White)	1880	690	19
RVS-2FCWGW	Ceramica Wave [◊] (Graphite & Oyster White)	1880	690	19
RVS-2FV	Verve (Metallic Black)	1440	622	59
RVS-2FB	Bauhaus (Metallic Black)	1050	554	36
RVS-2FBP	Bauhaus (Polished Stainless Steel)	1050	554	36
RVS-2FSNL	Sorrento (Natural Limestone)	1536	703	300
RVS-2FSPG	Sorrento (Polished Black Granite)	1536	703	300
Options				
RVS-2FEK	Edge Kit	1089	592	34*
RVS-2FCWK	Edge 'Cool Wall' Kit	1093	603	59**
RVS-2FEPLUS	Edge + Kit [†]	1073	598	34**

STUDIO 3 FRAME DIMENSIONS (MM) & PRODUCT CODES

Product Code	Description	Width	Height	Depth
RVS-3FPRO4	Profil [◊] (Metallic Black)	1426	547	45
RVS-3FSTHT	Steel [◊] (Metallic Black)	1926	647	3
RVS-3FSTXS	Steel XS (Metallic Black)	1518	647	3
RVS-3FGBHT	Glass [◊]	1932	653	8
RVS-3FV	Verve (Metallic Black)	1927	674	83
RVS-3FB	Bauhaus (Metallic Black)	1437	559	49
RVS-3FBP	Bauhaus (Polished Stainless Steel)	1437	559	49
Options				
RVS-3FEK	Edge Kit	1476	597	44.5*
RVS-3FCWK	Edge 'Cool Wall' Kit	1480	613	70**
RVS-3FEPLUS	Edge + Kit [†]	1480	603	34**

◊ Registered European Designs 001169338_0001/8

† The Edge + kit is a complete kit including the decorative frame and has no requirement for, nor is compatible with, any other Edge or Cool Wall kits.

A HETAS approved installer should undertake a site survey prior to purchase and must install any Studio Fire or Stove. Your Stovax retailer will be able to advise on this and, in particular, the use of high temperature (1300°C) plaster/screed in the area around Studio Cassettes and Stoves. You may view/download complete installation instructions at our website - www.stovax.com. These diagrams cover some of the basic requirements. All fires and stoves should be installed by a competent person to the requirement of Building Regulations (Document J) and include the fitting of adequate ventilation to ensure safe use. Usually older buildings do not need any additional ventilation for appliances up to 5kW, but modern houses will need additional ventilation in all cases. Some models can be fitted with an optional External Air Kit, or dedicated external air supply, offering a discreet and draught reducing solution to standard room venting. The diagrams and dimensions on these pages cover some of the basic requirements and are for initial information purposes only.

STUDIO 2 DUPLEX FRAME DIMENSIONS (MM) & PRODUCT CODES

Product Code	Description	Width	Height	Depth
RVS-2FPRO4W	Profil - Wide ^o (Metallic Black)	1089	592	33
RVS-2FSTHT	Steel ^o (Metallic Black)	1439	622	3
RVS-2FSTXS	Steel XS (Metallic Black)	1111	622	3
RVS-2FGBHT	Glass ^o	1445	628	8
RVS-2FCWGW	Ceramica Wave ^o (Graphite)	1880	690	19
RVS-2FCWW	Ceramica Wave ^o (Oyster White)	1880	690	19
RVS-2FCWGW	Ceramica Wave ^o (Graphite & Oyster White)	1880	690	19
RVS-2FV	Verve (Metallic Black)	1440	622	59
RVS-2FBW	Bauhaus - Wide (Metallic Black)	1090	594	36
RVS-2FBPW	Bauhaus - Wide (Polished Stainless Steel)	1090	594	36
RVS-2FSNL	Sorrento (Natural Limestone)	1536	703	300
RVS-2FSPG	Sorrento (Polished Black Granite)	1536	703	300

Options

RVS-2FEKW	Edge Kit	1089	592	34*
RVS-2FCWKW	Edge 'Cool Wall' Kit	1093	603	59**
RVS-2FEPLUSW	Edge + Kit [†]	1073	598	34#*



Studio 500 Edge with Victorian Corbel mantel in antique white marble.

Edge, Edge + and Cool Wall Kits

Edge/Edge + Kit

This kit is screw-mounted to the front flange of the outer firebox. The L-shaped attachments provide a 34/44.5mm† return against which high temperature plasterboard/screed can be butted up for the 'clean edge' look. The Edge Kit is made in aluminised steel which can then be painted to match the decor of your room. The Edge + has a decorative slim frame that fits over the finished installation opening.

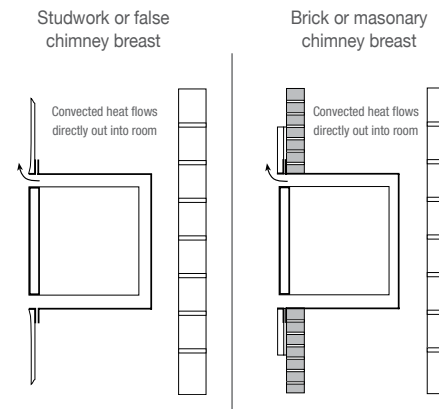
Cool Wall Kit

Again, screw-mounted to the front flange of the outer firebox, the U-shaped attachments of the Cool Wall kit are designed primarily for studwork or false chimney breasts. The additional depth allows some of the heat to be vented up into the void above the firebox and then re-enter the room at a higher level. The effect is to produce a cooler wall immediately above the appliance than would otherwise be the case. The Cool Wall Kit is made in aluminised steel which can then be painted to match the decor of your room.

† 34mm Studio 500, 1 & 2 / 44.5mm Studio 3

Edge Kit / Edge + Kit

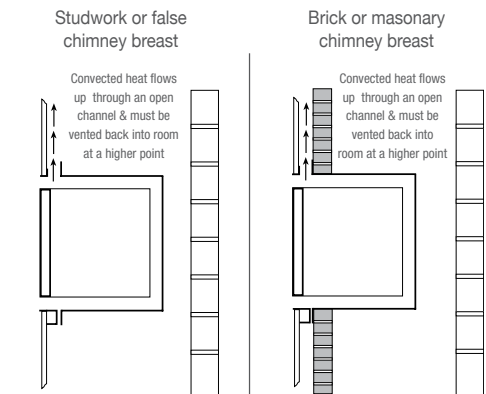
Installation method for:



Please note: Diagram shows an Edge Kit. An Edge + Kit has an additional decorative frame that finishes the installation opening.

Cool Wall Kit

Installation method for:



NB: When using the Edge Kit and Edge + Kit, heat resistant board and high temperature finishing plaster must be used. Please refer to installation instructions for full details of both kits which can be downloaded from www.stovax.com

FURTHER | INFORMATION

Riva Benches

These stunning benches, compatible with the Studio Freestanding fires, offer infinitely greater design possibilities and with four widths and two heights to choose from, you can be sure to satisfy your individual styling requirements.

- Sturdy steel construction
- Choice of 4 widths and 2 heights
- Durable matching black finish
- Proportioned 60mm wide legs
- Allows for central or offset stove positioning
- **High:** 1000/1200/1400/1800 x 350 x 420/465*mm (w x h x d)
- **Low:** 1000/1200/1400/1800 x 250 x 420/465*mm (w x h x d)

† Riva 180 Bench only.

Please note: Studio 3 Freestanding fires may be mounted onto a Riva 180 Bench only.



Professional XQ™ Chimney Systems and Enamelled Flue Pipe

Stovax also offers a comprehensive range of stove and fireplace chimney systems: the Stovax Professional XQ collection. Crafted from 304L grade stainless steel for a durable outer finish, the fully sealed components offer water tight protection for the insulation within.

With innovative decorative options, the ability to specify a colour for your system and with a host of technical advancements such as their Twist-Lock system, the Professional XQ range provides an attractive, versatile and reliable solution for your flue system. Furthermore, the Professional XQ range carries a 10 year extended warranty offering complete peace of mind. For further information or to request a brochure, simply contact your local retailer or visit www.stovax.com/chimneysystems.



ENAMELLED FLUE PIPE PRODUCT CODES

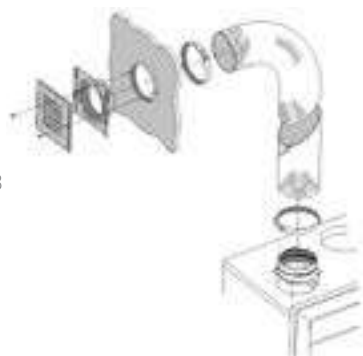
Description	153mm (6") Diameter
Matt Black Flue Pipe	
1' (305mm) straight without door	4600
1' (305mm) straight with door	4604
2' (610mm) straight without door	4601
2' (610mm) straight with door	4605
3' (915mm) straight without door	4602
3' (915mm) straight with door	4606
1'3" - 2'1" (380 - 635mm) telescopic without door	4642
3'4" - 4'6" (1015 - 1370mm) telescopic without door	4640
90° tee piece with end cap (for rear exit)	4616
Gloss Black Flue Pipe	
1' (305mm) straight without door	4600GB
2' (610mm) straight without door	4601GB
3' (915mm) straight without door	4602GB
90° tee piece with end cap (for rear exit)	4616GB



FURTHER | INFORMATION

Warm Air Ducting kit

The kit, for the Studio cassette fires only, which includes two 3 metre lengths of flexible ducting, allows you to heat up to two other living spaces. The Studio 3 has four ports so you can even add two kits if required, providing heat for up to four additional rooms.



Photography and Installation

Owing to variations in studio lighting and printing inks, the finishes/colours of fires illustrated in this brochure may differ slightly from actual models. Before purchasing, please ask your retailer to show you finish/colour samples.

All of the flame pictures shown in this brochure are taken from real fires. Please note however that flame pictures will vary depending on the exact fuel used, flue conditions and surrounding geographical features. Given that building regulations are subject to constant change, some of the photography in this brochure may not comply with the requirements of the latest Building Regulations and you should always check your proposed installation arrangement with your HETAS trained installer before proceeding.

When designing your own installation, please also observe the minimum distance to combustible materials as stated in the installation instructions when designing your own installation.

The 'Nominal' heat output is to be used for calculating the ventilation provision as required by ADJ Building Regulations and for calculating its suitability for heating the size of room it will be fitted into. The heat output 'Range' is to be used as a guide only as the maximum and minimum performance will depend on local conditions such as flue pull, fuel quality and the way in which the product is used.

Extended Warranty and Safety Details

When you choose a Studio cassette or freestanding fire, quality and technology are assured. Accordingly, your Stovax retailer Stovax Expert Retailer will provide you with a Two Year Warranty for your new cassette or freestanding fire. This can then be extended to a five year year warranty, provided it is registered with Stovax within one month of the later of the purchase date or installation date. Accordingly, the start date for the warranty period is the date of purchase. During the registration process the Expert Retailer details will be required for your Extended Warranty to be activated. Please note, these warranties exclude certain consumable parts. Fires purchased outside of Stovax's Expert Retailer Network will carry a standard 12 month non-extendable warranty. Full warranty terms & conditions are available to view at www.stovax.com



Stovax pursue a policy of continuous product improvement, therefore, whilst our products are correct at the time of the photography, we reserve the right to make alterations and amendments. Exact product details should be discussed with your retailer at the time of purchase.

Please note that all parts of these fires, particularly the glass panel in the door, become extremely hot during operation and can result in serious injury and burns if touched. It is therefore recommended that a fireguard complying with BS 8423:2002 is used in the presence of young children, the elderly or infirm.



STUDIO | VISUALISER iPad APP

The Stovax Studio Visualiser gives you a visual concept of having a real woodburning fire in your room. Intuitive, convenient and easy to use, the Studio Visualiser enables you to view all fires in the Stovax Studio range against a photo of your room or within a pre-loaded professional set to give you plenty of ideas and inspiration!

The Stovax Studio Visualiser helps you choose the right fire and frame option, as well as the perfect location in your room. You can take your own room photos from within the application or use our pre-loaded inspirational room designs onto which you can view and select your favourite Studio woodburning fire from the range. When you're happy with the result, simply capture the final image, which automatically saves to your Camera Roll on your device. The app is free and available to download from the App Store direct to your iPad now.

The Studio Visualiser app is designed to enable you to:

- take a photo with the built-in camera on your device
- use any of the pre-loaded inspirational room sets
- use any existing photo in your photo library
- choose from the very latest woodburning Studio Cassette and Freestanding Fires
- swipe screen to easily change your fire choice
- pinch, zoom & drag your chosen fire to approximately scale the fire to the room*
- save the completed design to your Camera Roll
- find your local retailer (internet connection required)

* The fires in this Application are not representative of their actual size.

Please note: the Stovax Studio Visualiser is to be used as an interior design aid only and by no means should be used to base your purchase and installation decisions upon.



To view the Studio Visualiser app page and to download the app, simply scan this code



STOVAX | STOVE & FIREPLACE ACCESSORIES

Care of your Stove or Fire



To help you get the best performance from your stove or fireplace and keep it in good condition, inside and out, Stovax offers a wide range of cleaning and maintenance products. Stovax also supplies a wide variety of fireplace accessories including fire screens and tool sets. Your local retailer will be able to give you full details or you may view the complete range at www.stovax.com.



Contemporary Fire Tools and Log Holders

For more modern interiors, Stovax has developed a range of contemporary fire tools and log holders. That are both sturdy and attractive. These minimalist accessories offer a superb pairing to Stovax's Studio range of fires and stoves. See pages 13, 20, 26 and 34 for contemporary tools and log holders in situ.



Fireplace Tile Surrounds

The space in which you live is an expression of your individual style - and at the very heart of your home is the fireplace. It is a focal point that not only extends the warmest of welcomes to your family and friends, and the one around which they will gather naturally, but it also offers you the opportunity to make a design statement that marks out the room even when the fire is not lit.

A unique collection, currently comprising 34 porcelain and natural stone tiles, has been carefully selected to help you give your home the ultimate look. Please ask your Stovax retailer for details or download the latest brochure from www.stovax.com.



Studio 3 Profil in Metallic Black. Shown with Cape Town Grey (60 x 30cm) Fireplace Tile Surround.

ELISE | CASSETTE FIRES & STOVES



Elise Steel 540 multi-fuel with Expression Frame



Freestanding Elise Glass 540T woodburning with optional wall mounting bracket

The Stovax Elise range presents an additional selection of contemporary styled woodburning and multi-fuel cassette fires and stoves at the pinnacle of innovation.

Elise fires and stoves feature state of the art airflow and combustion systems that produce magnificent flame visuals and high efficiency, all whilst lowering emissions to an absolute minimum. The Elise's progressive design makes it not only one of today's cleanest burning fires but also compliant with tomorrow's Ecodesign standards for 2022.

Further information about this exciting range can be found in a separate, dedicated brochure which can be requested from your local retailer or viewed online at www.stovax.com.





RIVA | CASSETTE FIRES & STOVES



Riva 55 with handle removed, and standard 4 sided frame both in Storm Metallic. Optional Tool Holder is also shown.



Riva F40 Freestanding in Metallic Black on Riva 100 High Bench

Stovax also offer another range of contemporary woodburning and solid fuel cassettes and freestanding fires, equally perfect for contemporary living.

Finished in your choice of Metallic Black or Storm Metallic, the Riva™ range is collection of high efficiency appliances available in a wide variety of size and styling options, all featuring the latest cutting edge features you would expect from Stovax, including the very latest cleanburn combustion systems, allowing them to burn logs or solid fuels with outstanding efficiency.

Further information about this exciting range can be found in a separate, dedicated brochure which can be requested from your local retailer or viewed online at www.stovax.com.





*Riva 50 with removable handle in situ & standard
4 sided frame in Metallic Black*



Studio 500 Freestanding

STOVAX
Fire Your Imagination

Stovax Limited, Falcon Road, Sowton Industrial Estate, Exeter, Devon, England EX2 7LF

Trade Sales	Tel: 01392 474000	Fax: 01392 219932
Export Sales	Tel: +44 1392 261990	Email: info@stovax.com
Other depts	Tel: 01392 474011	www.stovax.com

A member of the Stovax Group

Stovax gratefully acknowledges the assistance of the following companies with photographic settings:

John Lewis - www.johnlewis.com • Original Style - www.originalstyle.com • Debenhams - www.debenhams.co.uk • Carpet Right - www.carpetright.co.uk
 Furniture Village - www.furniturevillage.com • Habitat - www.habitat.co.uk • Grace & Glory - www.graceandgloryhome.co.uk • Amtico - www.amtico.com
 House of Fraser - www.houseoffraser.co.uk • Orange Tree - www.theorangetree.co.uk • Moko - www.mokodirect.com • Amos Lighting - www.amoslighting.co.uk
 Woofenden Construction - www.woofenden.com • Opies - www.opiesuk.co.uk • Grace & Glory - www.graceandgloryhome.co.uk
 Chunky Monkey - www.chunkymonkeyfurniture.co.uk • The White Company - www.thewhitecompany.com • Oliver Bonas - www.oliverbonas.com

To view and download our complete range of brochures, simply scan this code or visit www.stovax.com



Your Stovax stockist:

£2.00



RSTUDIO

