

Yeoman

A NATURAL WARMTH



*Traditional and Contemporary
Gas and Electric Stoves and Fires*

A Natural Warmth

From our humble origins over 25 years ago on a farm near Dartmoor, renowned for its cold winters, Yeoman has grown to become one of the UK's leading stove and fireplace manufacturers. Today, Yeoman offers an increasingly diverse range of technically advanced gas and electric stoves and fires in both traditional and contemporary designs alongside the broad selection of solid fuel products with which we started the journey.

The Yeoman Range

Gas Fires and Stoves

Inset Gas Fires 06 - 15

An Inset fire offers the impact of a freestanding stove with a minimalist, integrated aesthetic. Featuring either a traditional or a more contemporary front, each fire in the Inset range has a highly realistic fuel effect and in the case of the CL 530 & CL 670, a stunning glowing ember feature!



Traditional Gas Stoves 16 - 21

When you want to combine the allure of a log or coal fire with the appeal of an instantly controllable source of heat, Yeoman offers a range of expertly crafted, traditionally styled gas stoves that can offer you instant warmth at the flick of a switch. What's more, opt for a programmable remote control and your stove can be set to automatically turn on or off at times that suit your lifestyle!



Double-Sided Stoves 22 - 23

For a truly impressive centre-piece, the Devon double-sided gas stove brings two rooms together. Providing plenty of ambient warmth, the stove is sure to be a natural gathering point for friends and family. Choose from a number of styling options including four colour finishes to complement your home's decor.



CL Gas Stoves 24 - 33

With their subtle curving form, CL Gas stoves offer a stylish contemporary look with the inviting atmosphere of a log fire. These stoves also benefit from having the option of a programmable thermostatic remote control system that allows complete control from the comfort of your sofa.



Electric Stoves

Traditional Electric Stoves 34 - 39

Incorporating our unique VeriFlame™ technology, the Yeoman Electric models boast a choice of glow & flame effects, individually hand-painted logs and full remote control. With superior realism and up to 2kW of heat output, a Yeoman Electric stove will always be a pleasure to come home to.



CL Electric Stoves 40 - 49

CL Electric stoves have the same cast iron construction and stylish curving form as their gas equivalents but are suitable for virtually any room in the home. Offered in five sizes, a CL Electric stove offers fantastic flame visuals with or without the heat, all at the press of a button on the remote control.



Yeoman Gas and Electric Stoves and Fires



Exmoor Gas with flat top



Gas Stoves

All Yeoman gas stoves are available with natural gas or LPG and, depending on model, feature a highly realistic coal or log effect fire. Most of these highly efficient stoves are available as manual operation and have the option to upgrade to either a standard remote, allowing heat regulation once the pilot light has been lit manually, or a programmable thermostatic remote with additional timer and thermostatic controls, giving you control of your stove from the comfort of your armchair!



Inset Gas Fires

Available with either natural gas or LPG and for a conventional or balanced flue installation, Yeoman's range of Inset gas fires offers outstanding efficiency rates. Designed to be hearth mounted for a traditional fireplace aesthetic, many models in the range are available with a remote control handset. The modern



traditional styling of the CL 530 & 670 Inset fires give you a choice of linings, each complementing the highly realistic log fuel effect while the Dartmouth and CL7 Inset fires feature a highly realistic coal fuel effect and elegant Black Reeded lining. The CL7 also has the options of a Slide control located along the top of the fires front as well as a log-effect fuel bed on some models.

Electric Stoves

A Yeoman can be as easy to install as plugging in and switching on! Featuring our unique VeriFlame™ technology with low energy LED illumination and hand painted fuel bed. With the heater discreetly located underneath, the remote control allows you to adjust the heat between off, 1kW and 2kW in addition to the VeriFlame™ effects.



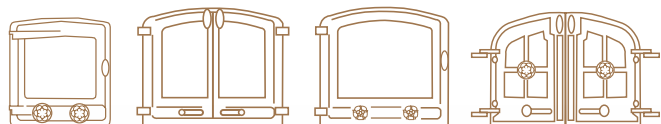
Selecting your Stove or Fire

Before you choose your new stove or fire you will need to know what type of chimney (if you have one) or flue you have. Please turn to page 58 to identify your chimney type.

A Wealth of Styling Options...

Styling options

The look of your stove is very important. That is why Yeoman offers you the opportunity to personalise your stove with a variety of styling options. According to model, these include flat top and high or low canopies, panoramic single doors, double doors with removable window crosses, brass handles and, for the new CL Inset gas fires, a choice of linings.











**All fires shown with this symbol boast the advantage of not normally requiring an air vent
^Δ where the air permeability is greater than 5.0m³/hr/m². Ventilation normally required is 550mm². Please discuss in full with your local retailer. ^ΔRequirements in the Republic of Ireland are different.*

Colour options

Colour is another option, with a choice of 4 paint finishes available for most stoves: Matt Black, Metallic Blue, Metallic Brown or Metallic Green. CL Stoves & Fires are finished in Metallic Black[†].



Key to symbols			
	Flat Top		Maximum Heat Output
	Low Canopy		Conventional Flue
	High Canopy		Balanced Flue
	Max. Efficiency - Gas		Vent not normally required*

Yeoman Extended Warranty

If you have purchased your gas or electric stove or fire from an authorised stockist within our Expert Retailer Network, then your product will automatically carry a 2 year warranty as standard. The 2 year warranty for gas stoves and fires can be extended to a total warranty period of 5 years by registering your Yeoman product within one month of the later of the purchase date or installation date. Accordingly, the start date for the warranty period is the date of purchase. During the registration process, the Expert Retailer details will be required for your Extended Warranty to be activated. Any product purchased outside of our Expert Retailer Network will carry a standard 12 month, non-extendable warranty. Full warranty terms & conditions are available to view at www.yeomanstoves.co.uk.



Expert Retailer Network

We take great care to ensure that our fires and stoves are designed, tested and manufactured to the highest possible quality and safety standards. We are just as concerned to make certain that they are sold and installed correctly so that you enjoy years of pleasure from your fire.

Accordingly, you will find our products are only available from experienced, independent retailers who will be happy to show you a selection of models locally in their showrooms, often fully operational. These independent retailers will discuss your individual requirements, both technical (such as sizing the heat output to your room and advising on your flue type) and design, and ensure that you select the most appropriate product for your home.

They will also be able to advise on, or assist with, the installation process as well as help provide any after-sales support and servicing your appliance may require in the future.

Whilst we encourage our retailers to promote fireplace products and their outlets via the internet, we do not believe suitable levels of customer care and satisfaction can be obtained from purchasing the product only online and we would strongly recommend that you consider this when undertaking your research and making a purchasing decision. Furthermore, please be aware that we do not offer technical support (beyond our statutory responsibilities) to products bought via nationwide online sales, where this support would normally be offered by one of our qualified, independent retailers.

Furthermore, Yeoman fires and stoves purchased from within our Expert Retailer Network will have the additional benefit of a greatly extended warranty period, subject to terms and conditions. Full details can be found at www.yeomanstoves.co.uk

Inset Gas Fires

All fires in our Inset gas range offer efficient and effective heat to create welcoming warmth to combat the long, cold winters. A space saving option for the room, an Inset fire offers a stylish solution for smaller homes as well as a straight forward installation even if you don't have a chimney! The CL Inset fires also come with a selection of lining options to further personalise your fire to your home.

CL 530 & 670 Inset



CL 530 Inset



CL 670 Inset

Designed for hearth mounted installations, the CL Inset gas fires feature a cast iron front beautifully crafted into smooth, curved lines to give a sophisticated modern-traditional style that is at home in a number of interiors. Available for both conventional and balanced flue installations, the CL Inset has an output of up to 5.6kW and an efficiency of up to 82%. The highly realistic log fuel bed is complemented by an enticing glowing ember feature and a choice of three striking and distinctive lining options as shown below.

Lining Options

Our CL Inset gas fires come with a choice of smart lining options, each offering an entirely different aesthetic that will not only complement the enticing flames and glowing ember effect but enable you to tailor your fire to your very own interior decor. Choose from warming Vermiculite with its smooth, light coloured surfaces, the classic style of the striking Black Reeded, the reflective qualities of Black Glass or the timeless Brick Effect lining, reminiscent of traditional fireplace inglenooks.



Vermiculite



Black Reeded



Black Glass



Brick Effect

State of the Art Remote Control



Supplied as standard with your CL 530 or 670, the multi-function Programmable Thermostatic remote control allows you to control all functions of your fire from ignition, through all the settings available to extinguish. The remote facilitates a number of programming options so you can set a daily or weekly schedule or instruct your fire to maintain your preferred room temperature, all from the comfort of your sofa! You may decide to set your fire to come on before you wake up in the morning or return home in the evening to ensure a welcoming and warm home exactly when you need it.

Ease of Installation

The CL Inset is compatible with our optional linerless flue kit. The kit comprises a specifically designed terminal and a short piece of flexible, stainless steel flue pipe and has been specifically created to be slotted into your masonry chimney in place of a full liner. This reduces the need for building work and any associated labour, facilitating a simpler and more cost effective installation.



CL 530 Inset with Brick-effect lining

CL7 & Dartmouth Inset

With a look that takes inspiration from our traditional, solid fuel stove aesthetic, the Dartmouth has a cast iron front complete with rose motif. A truly advanced fire, this inset model has the convenience of either manual or remote control operation, allowing you to enjoy the functions of your fire from the comfort of your sofa. The cast iron CL7 Inset maintains the versatile styling of the CL range and offers a choice of either manual, remote control or slide control operation, depending on your requirements.

Both the Dartmouth and the CL7 Inset models are available with a coal-effect fuel bed and Black Reeded lining, with the CL7 also offering the option of a highly realistic log-effect bed on selected models.

With generous heat outputs of up to 4.5kW and high efficiencies of up to 89%, these fires provide instant and effective warmth for your home.



CL7 Inset



Dartmouth Inset

CL 530

Inset Gas Fires



With portrait dimensions, the CL 530 Inset is a stylish gas fire offering a versatile aesthetic that will blend effortlessly into both traditional and contemporary interiors. The subtly curving front is beautifully crafted from cast iron into a sophisticated design. Available with a choice of four linings, Vermiculite, Black Reeded, Black Glass and Brick Effect, the CL 530 has a hand painted log effect fuel bed complete with glowing ember effect. A stunning flame picture completes the look and provides convenient, effective heat and a highly efficient output that can be fully controlled from the comfort of your sofa with the Programmable Thermostatic remote control handset.



CL 530 Inset with Vermiculite lining

- Conventional and balanced flue options
- Realistic log effect
- Radiant heat to quickly warm up your room
- Programmable Thermostatic Remote
- Variable heat output 2.9 - 5.5kW
- Up to 82% efficient
- Top flue (balanced) - 153mm (6")
(conventional) - 127mm (5")
- Natural gas or LPG options
- Choice of four distinctive linings
- Beautifully crafted from cast iron

	(kW)		Gas Type	Nominal Gas Input	Supply Pressure	Fire Effect	Energy Efficiency Class
CL 530 Inset	5.2kW*	76%	NG	6.8kW	20mb	Log	D
CL 530 Inset	5.2kW*	76%	LPG	6.8kW	37mb	Log	D
CL 530 Inset	5.4kW*	82%	NG	6.6kW	20mb	Log	C

Vent not normally required for any CL 530 gas fires. Please see page 5 for further information.

* Output is for guidance only and is dependent on gas type and flue variation.



Remote Control

HIGH EFFICIENCY
UP TO 82%



Metallic Black





CL 530 Inset with Black Reeded lining

CL 530 Inset - ultimate realism and efficiency



CL 670 Inset with Brick-effect lining

CL 670 Inset - at home in both traditional and modern settings

CL 670

Inset Gas Fires



The CL 670 Inset is a landscape fire with a gently curving form that elegantly bridges the traditional and the contemporary with its sophisticated timeless style. This high efficiency, glass fronted fire can be operated with ease from the Programmable Thermostatic Remote Control. The CL 670 may be programmed to a daily or weekly schedule as well as set to achieve a room temperature of your choosing so you can make the very most of your fire and tailor it to your lifestyle. Choose from a selection of striking lining options and enjoy the warmth and stunning flames.



CL 670 Inset with Black Glass lining

- Conventional and balanced flue options
- Realistic log effect
- Radiant heat to quickly warm up your room
- Programmable Thermostatic Remote
- Variable heat output 2.9 - 5.6kW
- Up to 82% efficient
- Top flue (balanced) - 153mm (6")
(conventional) - 127mm (5")
- Natural gas or LPG
- Choice of four distinctive linings
- Beautifully crafted from cast iron

	(kW)		Gas Type	Nominal Gas Input	Supply Pressure	Fire Effect	Energy Efficiency Class
CL 670 Inset	5.2kW*	76%	NG	6.8kW	20mb	Log	D
CL 670 Inset	5.1kW*	76%	LPG	6.7kW	37mb	Log	D
CL 670 Inset	5.5kW*	82%	NG	6.7kW	20mb	Log	C
CL 670 Inset	5.6kW*	82%	LPG	6.8kW	37mb	Log	C



Remote Control

HIGH EFFICIENCY
UP TO 82%



Metallic Black



Vent not normally required for any CL 670 gas fires. Please see page 5 for further information.

* Output is for guidance only and is dependent on gas type and flue variation.



CL7 Inset - Up to 89% efficiency with a choice of three control options

CL7 Inset

Gas Fires



The CL7 Inset offers the same exceptional high efficiency and modern-traditional elegance as the CL freestanding stoves. Designed to fit a standard 16" fireplace opening, the CL7 Inset can be selected with either a highly realistic, coal or log effect fuel bed and produces a beautiful flame picture with a warming heat output of up to 4.5kW. An innovative slider control option allows the fire's hearth-level controls to be operated from the top of the fire, making them even easier to reach. Alternatively, the CL7 can be upgraded with a remote control* for heat adjustment from the comfort of your sofa. The balanced flue* version has a slimline firebox that offers a simplified and more versatile installation option.



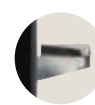
CL7 Inset Coal-effect

- Manual, Remote or Slide control options
- Conventional and balanced flue options
- Highly realistic coal or log effect† fire options
- Convected and radiant heat to quickly warm your room
- Variable heat output 2.1 - 4.5kW
- Up to 89% efficient
- Flue - conventional flue class 1 or 2 127mm (5"); balanced flue 153mm (6")
- Natural gas or LPG
- Virtually invisible glass front
- Fits into standard 410 x 560 x 250mm (w x h x d) fireplace opening
- Slimmer depth of Balanced Flue fire allows installation into inner wall of home without the need of a false chimney breast.

	(kW)		Gas Type	Nominal Gas Input	Supply Pressure	Fire Effect	Energy Efficiency Class
CL7 Inset Gas - Coal	4.54kW**	89%	NG	5.10kW	20mb	Coal	C
CL7 Inset Gas - Coal	4.27kW**	89%	LPG	4.80kW	37mb	Coal	C
CL7 Inset Gas - Log	4.16kW**	80%	NG	5.20kW	20mb	Log	D
CL7 Inset Gas - Log	4.08kW**	80%	LPG	5.10kW	37mb	Log	D
CL7 Inset Gas	3.45kW**	86%	NG	4.00kW	20mb	Coal	D
CL7 Inset Gas	3.45kW**	86%	LPG	4.00kW	37mb	Coal	D



Optional Remote Control*



Optional Slide Control†



Metallic Black



* Coal-effect models only.

† CL7 Inset log-effect is available with conventional flue, Slide control models only.

Vent not normally required for any CL7 gas fires. Please see page 5 for further information.

* Output is for guidance only and is dependent on gas type and flue variation.






Dartmouth Inset


Gas Fires

Offering the familiar 'family look' of the Yeoman traditional stoves range and the latest high-efficiency heating, the Dartmouth is an inset convector gas fire that very much blends traditional appeal with modern convenience. At its heart is the latest high efficiency gas combustion system that has been specially developed to combine the exceptional heat output with much improved fuel economy (gas consumption is lower so saving you money). In fact, the conventional flue version is an outstanding 89% efficient.



- Manual or remote control option
- Conventional and balanced flue options
- Highly realistic coal effect fire
- Convected and radiant heat to quickly warm your room
- Variable heat output 2.1 - 4.5kW
- Up to 89% efficient
- Flue - conventional flue class 1 or 2 127mm (5"); balanced flue 153mm (6")
- Natural gas or LPG
- Virtually invisible glass front
- Fits into standard 410 x 560 x 250mm (w x h x d) fireplace opening
- Slimmer depth of Balanced Flue fire allows installation into inner wall of home without the need of a false chimney breast.

	(kW)		Gas Type	Nominal Gas Input	Supply Pressure	Fire Effect	Energy Efficiency Class
Dartmouth Inset Gas 	4.54kW*	89%	NG	5.10kW	20mb	Coal	C
Dartmouth Inset Gas 	4.27kW*	89%	LPG	4.80kW	37mb	Coal	C
Dartmouth Inset Gas 	3.45kW*	86%	NG	4.00kW	20mb	Coal	D
Dartmouth Inset Gas 	3.45kW*	86%	LPG	4.00kW	37mb	Coal	D

 Vent not normally required for any Dartmouth gas fires. Please see page 5 for further information.

* Output is for guidance only and is dependent on gas type and flue variation.



Optional Remote Control

HIGH EFFICIENCY UP TO 89% 



Black





Dartmouth Inset Gas - with high efficiency technology

Exmoor

Gas Stoves



This popular model combines traditional charm with modern technology to bring you a gas stove that can be installed into almost any room - even one without a chimney. Furthermore, its highly realistic fire provides up to 2.7kW of adjustable heat, whether you opt for manual or remote controls, so it's ideal to take the chill away from those long winter days and nights.



Exmoor Gas with low canopy

- Conventional and balanced options
- Radiant heat to quickly warm your room
- Highly realistic log-effect fire
- Manual or remote control options
- Variable heat output 1.50 – 2.7kW
- Up to 85.1% efficient
- Optional brass handle
- Top or rear flue (conventional class 1 or 2) - 128mm (5") Rear flue only (balanced) - 153mm (6")
- Natural gas or LPG
- Electric model also available, see pages 34 - 35
- Woodburning & multi-fuel models also available (see separate brochure)

Remote Options



Left: Standard
Right: Programmable Thermostatic

HIGH EFFICIENCY
UP TO 85.1%

					Gas Type	Nominal Gas Input	Supply Pressure	Fire Effect	Energy Efficiency Class
Exmoor Gas	✓	✓	2.5kW*	76%	NG	3.30kW	20mb	Log	E/E†
Exmoor Gas	✓	✓	2.4kW*	76%	LPG	3.20kW	37mb	Log	E/E†
Exmoor Gas (Rear flue only)	✓	✓	2.7kW*	85.1%	NG	3.20kW	20mb	Log	D/C†
Exmoor Gas (Rear flue only)	✓	✓	2.6kW*	85.1%	LPG	3.10kW	37mb	Log	D/C†

Available Colour Options



Blue Brown Black Green



Vent not normally required for any Exmoor gas stoves. Please see page 5 for further information.

* Output is for guidance only and is dependent on gas type and flue variation.

† When upgraded with the programmable thermostatic remote control option.



Exmoor Gas with flat top

Exmoor Gas - a small stove with big appeal

Exe

Gas Stoves











With a highly realistic log fire effect and glowing embers, the medium sized Exe will become an inviting centrepiece in your living room. Traditionally styled but with the versatility to feature in the most contemporary of homes, the single door Exe combines time honoured design and craftsmanship with ultra-modern heating convenience and efficiency.



Exe Gas with flat top

- Conventional and balanced flue options
- Radiant heat to quickly warm your room
- Highly realistic log-effect fire
- Manual or remote control options
- Variable heat output 1.9 – 3.6kW
- Up to 84.3% efficient
- Optional brass handle
- Low canopy version available
- Natural gas or LPG
- Top or rear flue (conventional class 1 or 2) - 128mm (5") (balanced) - 153mm (6")
- Electric model also available, see pages 36 - 37
- Woodburning & multi-fuel models also available (see separate brochure)

					Gas Type	Nominal Gas Input	Supply Pressure	Fire Effect	Energy Efficiency Class
Exe Gas 	✓	✓	3.4kW*	75%	NG	4.55kW	20mb	Log	E/E [†]
Exe Gas 	✓	✓	3.3kW*	75%	LPG	4.35kW	37mb	Log	E/E [†]
Exe Gas 	✓	✓	3.6kW*	84.3%	NG	4.3kW	20mb	Log	D/C [†]
Exe Gas 	✓	✓	3.6kW*	84.3%	LPG	4.3kW	37mb	Log	D/C [†]

 Vent not normally required for any Exe gas stoves. Please see page 5 for further information.

* Output is for guidance only and is dependent on gas type and flue variation.

† When upgraded with the programmable thermostatic remote control option.

Remote Options



Left: Standard
Right: Programmable Thermostatic

HIGH EFFICIENCY
UP TO 84.3% 

Available Colour Options



Blue Brown Black Green





Exe Gas with low canopy

Exe Gas - Compact and versatile

Dartmoor

Gas Stoves



Yeoman's Dartmoor gas stove not only offers you even more choice but also features a highly realistic log effect. Just as importantly, it is a highly efficient source of heat with up to 5.4kW of comfort available at the turn of a switch. Furthermore, the Dartmoor is available in both conventional flue and balanced flue versions with a wide choice of styling options to help you tailor it to your home's interior, including the option of a high canopy.



Dartmoor Gas Single Door with flat top

- Conventional and balanced flue log effects
- Radiant heat to quickly warm your room
- Manual or remote control options
- Variable heat output 2.5 – 5.4kW
- Up to 84% efficient
- Single or double doors
- Optional brass handle^o
- Removable Tudor Rose door crosses^{**}
- Top or rear flue - conventional flue class 1 or 2 128mm (5"); balanced flue 153mm (6") (top exit requires decorative flue collar)
- Natural gas or LPG
- Electric version also available, see pages 38 - 39

^{**} Double door only ^o Single door only

Remote Options



Left: Standard
Right: Programmable Thermostatic



				(kW)		Gas Type	Nominal Gas Input	Supply Pressure	Fire Effect	Energy Efficiency Class
Dartmoor ^{CF}	✓	×	✓	5.2kW*	78%	NG	6.60kW	20mb	Log	E/E [†]
Dartmoor ^{CF}	✓	×	✓	5.0kW*	78%	LPG	6.40kW	37mb	Log	E/E [†]
Dartmoor ^{BF}	✓	×	✓	5.4kW*	84%	NG	6.45kW	20mb	Log	D/C [†]
Dartmoor ^{BF}	✓	×	✓	5.0kW*	84%	LPG	6.00kW	37mb	Log	D/C [†]

Vent not normally required for any Dartmoor gas stoves. Please see page 5 for further information.

* Output is for guidance only and is dependent on gas type and flue variation.

† When upgraded with the programmable thermostatic remote control option.

Available Colour Options





Dartmoor Gas Double Door with flat top and removable Tudor Rose door crosses

Dartmoor Gas - outstanding log effect for increased realism



Devon Double-Sided - the warming heart of your home

Double-Sided

Devon Gas Stove

For a truly enticing focal point in your home, the Devon is a double-sided gas stove that offers a practical solution to heating a large open plan space effectively, or, two adjacent rooms at once. Made from traditional cast iron that allows heat to be diffused slowly and steadily, the Devon double-sided has a realistic log fuel effect for the ultimate traditional stove ambiance. The flames may be controlled with your choice of Standard or Programmable Thermostatic remote handset, allowing you to ignite, vary the flame height and extinguish your fire from the comfort of an armchair. The Programmable remote control has additional features that enable you to set a daily or weekly programme to suit your lifestyle.



- Conventional top flue - 128mm (5")
- Highly realistic log effect fire
- Variable heat output
- Up to 72% efficient
- Manual or remote control options
- Natural gas or LPG
- Removable Tudor Rose door crosses
- Optional brass handles
- High Canopy
- Single or double door options
- Woodburning & multi-fuel models also available (see separate brochure)

Remote Options



Left: Standard
Right: Programmable

Available Colour Options



Blue Brown Black Green

						Gas Type	Nominal Gas Input	Supply Pressure	Energy Efficiency Class
Devon Double Sided	×	×	✓	5.0kW**	72%	NG	6.9kW	20mb	F/F†
Devon Double Sided	×	×	✓	5.0kW**	72%	LPG	6.9kW	37mb	F/F†

** Output is for guidance only and is dependent on gas type and flue variation

† When upgraded with the programmable thermostatic remote control option.



CL3 Gas - highly realistic log effect

CL3

Gas Stoves



The CL3 is the smallest of the contemporary gas stoves from Yeoman. Despite its compact dimensions, underneath the smooth, modern lines of the CL3 lies a powerful, high efficiency stove with a highly realistic log effect fuel bed and the additional option of the state of the art Programmable Thermostatic upgradeable remote control system. Fully programmable, the optional remote upgrade allows the CL3 to be set to automatically switch on or off and change temperature according to your exact requirements.



- Conventional and balanced flue options
- Highly realistic log effect
- Radiant heat to quickly warm up your room
- Manual or remote control options
- Variable heat output 1.50 - 2.7kW
- Up to 85.1% efficient
- Integral raised plinth and curved top plate
- Top or rear flue (conventional) - 127mm (5")
Rear flue only (balanced) - 153mm (6")
- Natural gas or LPG
- Electric model also available see pages 40 - 41
- Multi-fuel model also available (see separate brochure)

Remote Options







Left: Standard
Right: Programmable Thermostatic



Metallic
Black



				Gas Type	Nominal Gas Input	Supply Pressure	Fire Effect	Energy Efficiency Class	
CL3 Gas	CF	✓	2.5kW*	76%	NG	3.30kW	20mb	Log	E/E†
CL3 Gas	CF	✓	2.4kW*	76%	LPG	3.20kW	37mb	Log	E/E†
CL3 Gas (Rear flue only)	BF	✓	2.7kW*	85.1%	NG	3.20kW	20mb	Log	D/C†
CL3 Gas (Rear flue only)	BF	✓	2.6kW*	85.1%	LPG	3.10kW	37mb	Log	D/C†

 Vent not normally required for any CL3 gas stoves. Please see page 5 for further information.

* Output is for guidance only and is dependent on gas type and flue variation.

† When upgraded with the programmable thermostatic remote control option.

CL5

Gas Stoves



The CL5 has a highly realistic log effect fuel bed and superb flame picture to create the same inviting warmth as a woodburning stove, but with all the convenient features of gas. With a subtle curving door and complementary curved top plate, a CL gas stove can offer a stylish centrepiece for homes both modern and traditional alike.



- Conventional and balanced flue options
- Highly realistic log effect
- Radiant heat to quickly warm up your room
- Manual or remote control options
- Variable heat output 1.9 - 3.6kW
- Up to 84.3% efficient
- Integral raised plinth and curved top plate
- Top or rear flue (balanced) - 153mm (6") (conventional) - 127mm (5")
- Natural gas or LPG
- Electric versions also available see pages 42 - 43
- Woodburning & multi-fuel models also available (see separate brochure)

Remote Options



Left: Standard
Right: Programmable Thermostatic

HIGH EFFICIENCY
UP TO 84.3%



				Gas Type	Nominal Gas Input	Supply Pressure	Fire Effect	Energy Efficiency Class
CL5		3.4kW*	75%	NG	4.55kW	20mb	Log	E/E†
CL5		3.3kW*	75%	LPG	4.35kW	37mb	Log	E/E†
CL5		3.6kW*	84.3%	NG	4.30kW	20mb	Log	D/C†
CL5		3.6kW*	84.3%	LPG	4.30kW	37mb	Log	D/C†

Vent not normally required for any CL5 gas stoves. Please see page 5 for further information.

* Output is for guidance only and is dependent on gas type and flue variation.

† When upgraded with the programmable thermostatic remote control option.



Metallic
Black





CL5 Gas - with high efficiency technology

CL5 Midline

Gas Stoves



New to the CL gas stove range is the CL5 Midline. Displaying all the handsome features of the standard CL5, the Midline features an integral log store which helps to achieve the real-fire look and raises this impressive stove to a higher level. Together with the same efficiencies and heat output as the CL5, the Midline model makes for a striking focal point in any interior setting.



- Conventional and balanced flue options
- Highly realistic log effect
- Radiant heat to quickly warm up your room
- Manual or remote control options
- Variable heat output 1.9 - 3.6kW
- Up to 84.3% efficient
- Integral log store and curved top plate
- Top or rear flue (balanced) - 153mm (6") (conventional) - 127mm (5")
- Natural gas or LPG
- Electric versions also available see pages 44 - 45
- Woodburning & multi-fuel models also available (see separate brochure)

Remote Options



Left: Standard
Right: Programmable Thermostatic

HIGH EFFICIENCY
UP TO 84.3%



				Gas Type	Nominal Gas Input	Supply Pressure	Fire Effect	Energy Efficiency Class
CL5 Midline	✓	3.4kW*	75%	NG	4.55kW	20mb	Log	E/E†
CL5 Midline	✓	3.3kW*	75%	LPG	4.35kW	37mb	Log	E/E†
CL5 Midline	✓	3.6kW*	84.3%	NG	4.30kW	20mb	Log	D/C†
CL5 Midline	✓	3.6kW*	84.3%	LPG	4.30kW	37mb	Log	D/C†



Metallic Black



Vent not normally required for any CL5 Midline gas stoves. Please see page 5 for further information.

* Output is for guidance only and is dependent on gas type and flue variation.

† When upgraded with the programmable thermostatic remote control option.



CL5 Midline Gas - featuring an integrated log store for that real fire look



CL5 Highline

Gas Stoves

A further addition to the CL range is the CL5 Highline. Maintaining the same high efficiency and impressive heat output of other CL5 models, the Highline gives an impressive focal point due to its taller, integral log store base. With its smooth curves and stunning Metallic Black finish, the CL5 Highline lends itself to a wide array of interior styles and gives your living space the finish it deserves.



- Conventional and balanced flue options
- Highly realistic log effect
- Radiant heat to quickly warm up your room
- Manual or remote control options
- Variable heat output 1.9 - 3.6kW
- Up to 84.3% efficient
- Integral log store and curved top plate
- Top or rear flue (balanced) - 153mm (6") (conventional) - 127mm (5")
- Natural gas or LPG
- Electric versions also available see pages 46 - 47
- Woodburning & multi-fuel models also available (see separate brochure)








Remote Options



Left: Standard
Right: Programmable Thermostatic

HIGH EFFICIENCY
UP TO 84.3%



				Gas Type	Nominal Gas Input	Supply Pressure	Fire Effect	Energy Efficiency Class
CL5 Highline 	✓	3.4kW*	75%	NG	4.55kW	20mb	Log	E/E†
CL5 Highline 	✓	3.3kW*	75%	LPG	4.35kW	37mb	Log	E/E†
CL5 Highline 	✓	3.6kW*	84.3%	NG	4.30kW	20mb	Log	D/C†
CL5 Highline 	✓	3.6kW*	84.3%	LPG	4.30kW	37mb	Log	D/C†



Metallic Black



 Vent not normally required for any CL5 Highline gas stoves. Please see page 5 for further information.

* Output is for guidance only and is dependent on gas type and flue variation.

† When upgraded with the programmable thermostatic remote control option.



CL5 Highline Gas - a finish deserving of any living space

CL8








Gas Stoves



The largest in our family of CL gas stoves, the CL8 has the same gently curving lines, control options and sophisticated stainless steel features as its smaller counterparts but, with a heat output of up to 5.5kW, the CL8 is capable of providing ambient heat to larger rooms for the whole family to enjoy. With hand-painted logs and an enticing glowing ember effect, the CL8's inviting flame picture is extended by the mirror-like qualities of the sides of the stainless steel fire lining, creating a bright and mesmerizing effect which friends and family are sure to gather around.



- Conventional and balanced flue options
- Highly realistic log effect
- Radiant heat to quickly warm up your room
- Manual or remote control options
- Variable heat output 2.78 - 5.5kW
- Up to 83.1% efficient
- Integral raised plinth and curved top plate
- Top or rear flue (balanced) - 153mm (6") (conventional) - 127mm (5")
- Natural gas or LPG
- Stainless steel side lining panels
- Electric versions also available see pages 48 - 49
- Woodburning & multi-fuel models also available (see separate brochure)

				Gas Type	Nominal Gas Input	Supply Pressure	Fire Effect	Energy Efficiency Class	
CL8		✓	5.1kW*	78%	NG	6.6kW	20mb	Log	E/E [†]
CL8		✓	5.2kW*	78%	LPG	6.7kW	37mb	Log	E/E [†]
CL8		✓	5.5kW*	83.1%	NG	6.6kW	20mb	Log	D/C [†]
CL8		✓	5.5kW*	83.1%	LPG	6.6kW	37mb	Log	D/C [†]

Remote Options



Left: Standard
Right: Programmable Thermostatic

HIGH EFFICIENCY
UP TO 83.1% 

 Vent not normally required for any CL8 gas stoves. Please see page 5 for further information.

* Output is for guidance only and is dependent on gas type and flue variation.

† When upgraded with the programmable thermostatic remote control option.



Metallic Black





CL8 Gas - an outstanding focal point for your living space



Exmoor Electric - complete operation by remote control

Exmoor

Electric Stove



Available in traditional Matt Black, the ever popular Exmoor stove perfectly combines the classic good looks of a woodburner with the ease of an electric stove. At its heart is the unique VeriFlame™ technology which allows you to choose from 3 brightness levels and blue or orange flame setting to match your mood exactly – and everything is operated from the remote control to save you kneeling down! Furthermore, you can select fire effect only, fire effect + 1kW heat, and fire effect + 2kW heat according to your heating needs.



- Realistic hand-painted log effect
- VeriFlame™ technology
- Flame visuals can be enjoyed without the heat
- Low energy LED illumination
- Remote control
- Optional brass handle
- Thermostatic option
- 13 amp socket needed
- Heat output 1.0 - 2.0kW
- No flue, chimney or air vent required
- Gas versions also available, see pages 16-17
- Woodburning & multi-fuel models also available (see separate brochure)

		
Exmoor Electric		✓ 2.0kW



Remote control



Matt Black



Exe

Electric Stove



The Exe's subtle styling and refined detailing fits effortlessly into both traditional and contemporary homes alike, adding an easy to install centrepiece that can provide instant heat. The stove's two heat settings can be thermostatically controlled, allowing the stove to constantly maintain a pre-set temperature.

Featuring Gazco's VeriFlame™ technology, this versatile model offers three flame brightness levels, including an orange and blue flame effect, which can all be controlled with the supplied handset. With the Exe's realistic hand painted fuel bed, the flame visuals easily create the ambience of a traditional woodburning fire and can even be displayed without the heat, allowing you to enjoy the stove all year round.



- Realistic hand-painted log effect
- VeriFlame™ technology
- Flame visuals can be enjoyed without the heat
- Low energy LED illumination
- Remote control
- Optional brass handle
- Thermostatic option
- 13 amp socket needed
- Heat output 1.0 - 2.0kW
- No flue, chimney or air vent required
- Gas versions also available, see pages 18 - 19
- Woodburning & multi-fuel models also available (see separate brochure)

		
Exe Electric		✓ 2.0kW



Remote control



Matt Black





Exe Electric - traditional woodburning ambience

Dartmoor

Electric Stove



Using the same cast iron door and heavy gauge steel body as the Gas Dartmoor, the electric versions are brought alive with VeriFlame™ technology. This means you will enjoy a choice of flame and glow effects from a remarkably authentic log-effect fire that creates a superb focal point in your room. All this and a choice of single or double doors to suit your exact styling requirements!




The heater is discreetly located under the stove but, as all functions can be operated from the complementary remote control there is no stooping or crouching. In fact you can alter the VeriFlame™ effect or adjust the heat output whilst relaxing in your favourite chair!



Dartmoor Electric Single Door

- Realistic hand-painted log effect
- VeriFlame™ technology
- Low energy LED illumination
- Remote control
- Single or double doors
- Flame visuals can be enjoyed without the heat
- Removable Tudor rose door crosses**
- Optional brass handle◊
- 13 amp socket needed
- Thermostatic option
- Heat output 1.0 - 2.0kW
- No flue, chimney or air vent required
- Gas version also available, see pages 20 - 21

** Double door only
◊ Single door only

		
Dartmoor Electric		2.0kW



Remote control



Matt Black





Dartmoor Electric - authentic log effect for ultimate realism



CL3 Electric - neat and compact for the smaller room

CL3

Electric Stove



A wonderful solution for areas that require additional warmth during the colder weather, the smooth, curved lines of the CL3 Electric stove can be enjoyed in all rooms including conservatories, hallways and studys. The CL3 has two heat settings of 1kW and 2kW and provides instant warmth exactly when you need it. You can even enjoy the enticing flame visuals without the heat! Finished in Metallic Black with subtle stainless steel detailing, the CL3 exudes style and functionality in equal measure.



CL3 Electric
on Stovax Riva 45 Low Bench

- Realistic hand-painted log effect
- VeriFlame™ technology
- Low energy LED illumination
- 3 Brightness levels with blue boost setting
- Flame visuals can be enjoyed without the heat
- Remote control
- Integral cast iron top plate
- 13 amp socket needed
- Thermostatic option
- Heat output 1.0 - 2.0kW
- No flue, chimney or air vent required
- Gas versions also available, see pages 24 - 25
- Woodburning & multi-fuel models also available (see separate brochure)

		
CL3 Electric		✓ 2.0kW



Remote control



Metallic Black



CL5

Electric Stove



The CL5 Electric has the versatility to be placed virtually anywhere in the home. With a smart exterior and alluring internal visuals, this sophisticated electric stove combines the very best in comfort, convenience and style. Complete with Veriflame™ technology, the enticing flame effect and realistic hand-painted fuel bed can be enjoyed with or without the heat output of up to 2kW.

As with its smaller CL3 counterpart, each flame brightness level of the CL5 may be operated from the easy to use remote control. The stove is finished in Metallic Black with an integral cast iron top plate and subtle detailing including a stainless steel handle that lends itself to a number of interiors, both traditional and contemporary.



- Realistic hand-painted log effect
- VeriFlame™ technology
- Low energy LED illumination
- 3 Brightness levels with blue boost setting
- Flame visuals can be enjoyed without the heat
- Remote control
- Integral cast iron top plate
- 13 amp socket needed
- Thermostatic option
- Heat output 1.0 - 2.0kW
- No flue, chimney or air vent required
- Gas versions also available, see pages 26 - 27
- Woodburning & multi-fuel models also available (see separate brochure)

		
CL5 Electric		2.0kW



Remote control



Metallic Black





CL5 Electric - perfect for bedrooms, studys, conservatories and hallways!

CL5 Midline




Electric Stove



Increasing the CL5 electric family is the CL5 Electric Midline. With the same stunning flame visuals and realistic hand-painted log effect as the CL5, the Midline model combines the smooth, curving firebox with an integral log store for added real-fire authenticity.



- Realistic hand-painted log effect
- VeriFlame™ technology
- Low energy LED illumination
- 3 Brightness levels with blue boost setting
- Flame visuals can be enjoyed without the heat
- Remote control
- Integral cast iron top plate & log store
- 13 amp socket needed
- Thermostatic option
- Heat output 1.0 - 2.0kW
- No flue, chimney or air vent required
- Gas versions also available, see pages 28 - 29
- Woodburning & multi-fuel models also available (see separate brochure)

		
CL5 Midline Electric 	✓	2.0kW



Remote control



Metallic Black





CL5 Midline Electric - versatile and authentic

CL5 Highline

Electric Stove






Rounding off the CL5 electric family is the impressive Highline model. As with its CL5 electric counterparts, the Highline model gives an extended and sophisticated finish with its tall, integrated log store base.

The realistic hand-painted log effect combines with the reflective internal lining to give unequalled flame visuals using Veriflame™ technology.



- Realistic hand-painted log effect
- VeriFlame™ technology
- Low energy LED illumination
- 3 Brightness levels with blue boost setting
- Flame visuals can be enjoyed without the heat
- Remote control
- Integral cast iron top plate
- 13 amp socket needed
- Thermostatic option
- Heat output 1.0 - 2.0kW
- No flue, chimney or air vent required
- Gas versions also available, see pages 30 - 31
- Woodburning & multi-fuel models also available (see separate brochure)

		
CL5 Highline Electric 	✓	2.0kW



Remote control



Metallic Black





CL5 Highline Electric - a tall and sophisticated finish

CL8

Electric Stove



Instant glow, instant heat and instant impact - that's the promise of the CL8 Electric, the largest stove in the family. Like its smaller siblings the CL8 offers three different flame brightness levels including an additional blue flame effect on the high setting. There are even reflective side panels to ensure that the remarkable VeriFlame™ visuals can be enjoyed from all angles of your living space whether it's your lounge, study, hallway, bedroom or even conservatory!



CL8 Electric on Stovax Riva
100 Low Bench

- Realistic hand-painted log effect
- VeriFlame™ technology
- Low energy LED illumination
- 3 Brightness levels with blue boost setting
- Flame visuals can be enjoyed without the heat
- Remote control
- Integral cast iron top plate
- 13 amp socket needed
- Thermostatic option
- Heat output 1.0 - 2.0kW
- No flue, chimney or air vent required
- Gas versions also available, see pages 32 - 33
- Woodburning & multi-fuel models also available (see separate brochure)

		
CL8 Electric		2.0kW



Remote control



Metallic Black





CL8 Electric - enjoy the flames with or without the heat

Technical Information

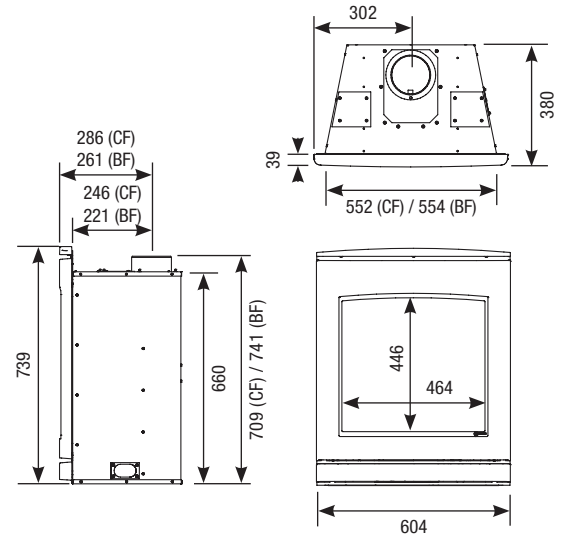
INSET GAS FIRES

CL 530 INSET - conventional & balanced flue - Programmable Thermostatic remote control

YM189-253	Conventional Flue. Natural Gas, Black Reeded Lining, Thermostatic control
YM189-496	Conventional Flue. LPG, Black Reeded Lining, Thermostatic control
YM189-030	Conventional Flue. Natural Gas, Vermiculite Lining, Thermostatic control
YM189-405	Conventional Flue. LPG, Vermiculite Lining, Thermostatic control
YM189-098	Conventional Flue. Natural Gas, Brick Effect Lining, Thermostatic control
YM189-437	Conventional Flue. LPG, Brick Effect Lining, Thermostatic control
YM189-286	Balanced Flue. Natural Gas, Black Reeded Lining, Thermostatic control
YM189-076	Balanced Flue. Natural Gas, Vermiculite Lining, Thermostatic control
YM189-216	Balanced Flue. Natural Gas, Brick Effect Lining, Thermostatic control

Accessories

934-049	CL 530 Conventional Flue, Black Reeded Lining Set
934-067	CL 530 Conventional Flue, Vermiculite Lining Set
934-056	CL 530 Conventional Flue, Brick Effect Lining Set
934-070	CL 530 Balanced Flue, Black Reeded Lining Set
934-088	CL 530 Balanced Flue, Vermiculite Lining Set
934-074	CL 530 Balanced Flue, Brick Effect Lining Set
8572	Warm Air Ducting Kit (2 Outlets)
8736	Linerless Kit for CL 530
999-620	Remote System Mains Adaptor



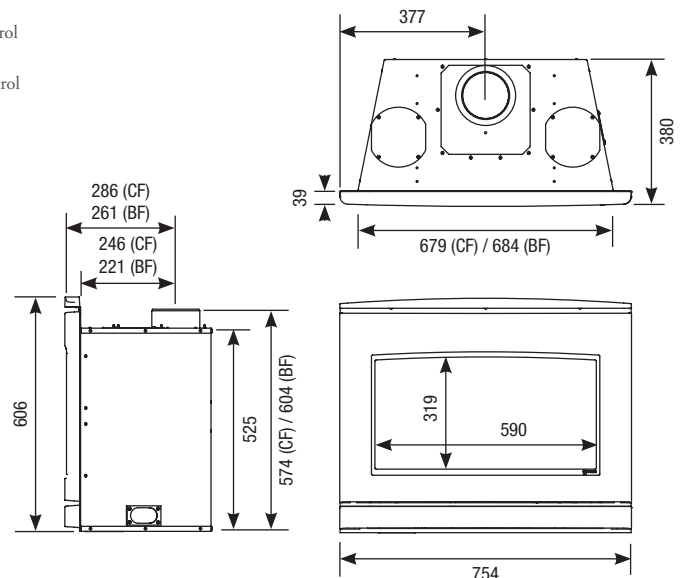
Dimensions are measured in millimetres (mm)

CL 670 INSET - conventional & balanced flue - Programmable Thermostatic remote control

YM189-385	Conventional Flue. Natural Gas, Black Reeded Lining, Thermostatic control
YM189-694	Conventional Flue. LPG, Black Reeded Lining, Thermostatic control
YM189-320	Conventional Flue. Natural Gas, Vermiculite Lining, Thermostatic control
YM189-522	Conventional Flue. LPG, Vermiculite Lining, Thermostatic control
YM189-346	Conventional Flue. Natural Gas, Brick Effect Lining, Thermostatic control
YM189-611	Conventional Flue. LPG, Brick Effect Lining, Thermostatic control
YM189-393	Balanced Flue. Natural Gas, Black Reeded Lining, Thermostatic control
YM189-717	Balanced Flue. LPG, Black Reeded Lining, Thermostatic control
YM189-331	Balanced Flue. Natural Gas, Vermiculite Lining, Thermostatic control
YM189-587	Balanced Flue. LPG, Vermiculite Lining, Thermostatic control
YM189-372	Balanced Flue. Natural Gas, Brick Effect Lining, Thermostatic control
YM189-625	Balanced Flue. LPG, Brick Effect Lining, Thermostatic control

Accessories

934-096	CL 670 Conventional Flue, Black Reeded Lining Set
934-103	CL 670 Conventional Flue, Vermiculite Lining Set
934-119	CL 670 Conventional Flue, Brick Effect Lining Set
934-127	CL 670 Balanced Flue, Black Reeded Lining Set
934-111	CL 670 Balanced Flue, Vermiculite Lining Set
934-137	CL 670 Balanced Flue, Brick Effect Lining Set
8572	Warm Air Ducting Kit (2 Outlets)
8736	Linerless Kit for CL 670
999-620	Remote System Mains Adaptor



Dimensions are measured in millimetres (mm)

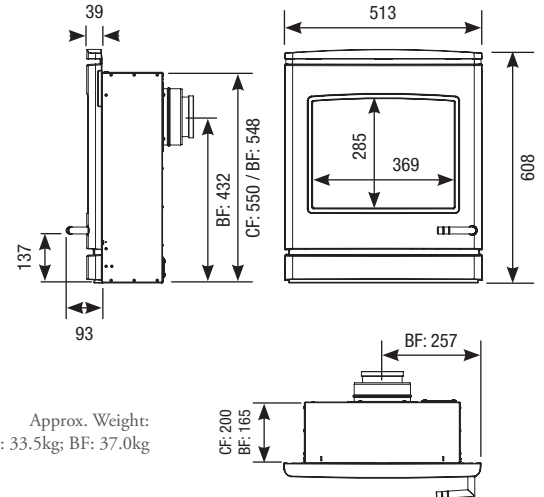
Technical Information

INSET GAS FIRES (CONTINUED)

CL7 INSET - conventional and balanced flue - Gas - Manual, Slide or Remote control

YM189-224	Conventional Flue. Natural gas, coals. Manual control
YM189-546	Conventional Flue. LPG, coals. Manual control
YM189-250	Conventional Flue. Natural gas, coals. Slide control
YM189-555	Conventional Flue. LPG, coals. Slide control
YM189-261	Conventional Flue. Natural gas, coals. Remote control
YM189-572	Conventional Flue. LPG, coals. Remote control
YM189-038	Conventional Flue. Natural gas, logs. Slide control
YM189-594	Conventional Flue. LPG, logs. Slide control
YM189-279	Balanced Flue. Natural gas, coals. Manual control (inc. rear exit bal.flue terminal & guard)
YM189-607	Balanced Flue. LPG, coals. Manual control (inc. rear exit bal.flue terminal & guard)
YM189-303	Balanced Flue. Natural gas, coals. Slide control (inc. rear exit bal.flue terminal & guard)
YM189-615	Balanced Flue. LPG, coals. Slide control (inc. rear exit bal.flue terminal & guard)
YM189-311	Balanced Flue. Natural gas, coals. Remote control (inc. rear exit bal.flue terminal & guard)
YM189-639	Balanced Flue. LPG, coals. Remote control (inc. rear exit bal.flue terminal & guard)

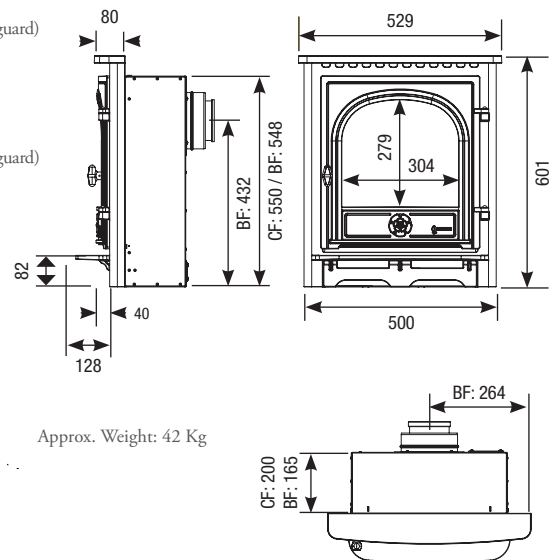
Dimensions are measured in millimetres (mm)



DARTMOUTH INSET - conventional and balanced flue - Gas - Manual or Remote control

YM-N9875	Conventional Flue. Natural gas, flat top, coals. Manual control
YM-P9875	Conventional Flue. LPG, flat top, coals. Manual control
YM-N9885	Balanced Flue. Natural gas, flat top, coals. Manual control (inc. rear exit bal.flue terminal & guard)
YM-P9885	Balanced Flue. LPG, flat top, coals. Manual control (inc. rear exit bal.flue terminal & guard)
YM189-165	Conventional Flue. Natural gas, flat top, coals. Remote control
YM189-442	Conventional Flue. LPG, flat top, coals. Remote control
YM189-191	Balanced Flue. Natural gas, flat top, coals. Remote control (inc. rear exit bal.flue terminal & guard)
YM189-486	Balanced Flue. LPG, flat top, coals. Remote control (inc. rear exit bal.flue terminal & guard)

Dimensions are measured in millimetres (mm)



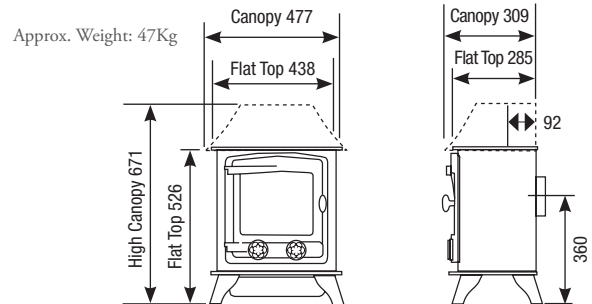
Technical Information

TRADITIONAL GAS STOVES

EXMOOR - Conventional flue gas, manual or remote control

YM581-239	Natural gas, flat top, logs, single door
YM581-298	Natural gas, low canopy, logs, single door
YM581-402	LPG, flat top, logs, single door
YM581-447	LPG, low canopy, logs, single door
Options	
8549	Decorative flue collar for top exit
YM-A9904	Brass handle
8455	Standard Upgradeable remote control
8456	Programmable Thermostatic Upgradeable remote control
BL/BR/GR	Coloured paint supplement, add BL (Metallic Blue), BR (Metallic Brown) or GR (Metallic Green) suffix to stove code

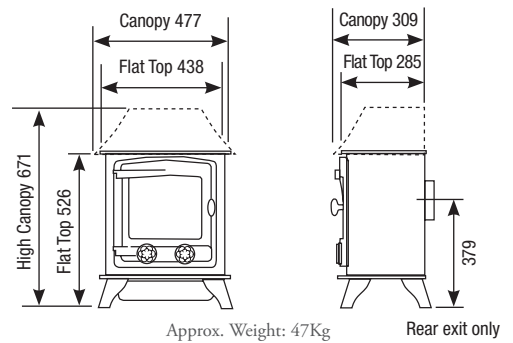
Dimensions are measured in millimetres (mm)



EXMOOR - Balanced flue gas, manual or remote control

YM581-268	Natural gas, flat top, logs, single door
YM581-302	Natural gas, low canopy, logs, single door
YM581-424	LPG, flat top, logs, single door
YM581-550	LPG, low canopy, logs, single door
Options	
8548	Decorative flue collar for top exit
YM-A9904	Brass handle
8455	Standard Upgradeable remote control
8456	Programmable Thermostatic Upgradeable remote control
BL/BR/GR	Coloured paint supplement, add BL (Metallic Blue), BR (Metallic Brown) or GR (Metallic Green) suffix to stove code

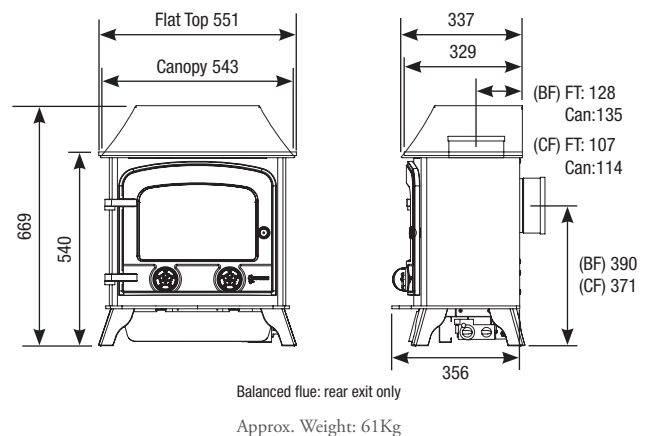
Dimensions are measured in millimetres (mm)



EXE - Conventional & Balanced flue gas, manual or remote control

YM581-363	CF, Natural gas, flat top, logs, single door
YM581-282	CF, Natural gas, low canopy, logs, single door
YM581-581	CF, LPG, flat top, logs, single door
YM581-677	CF, LPG, low canopy, logs, single door
YM581-390	BF, Natural gas, flat top, logs, single door
YM581-191	BF, Natural gas, low canopy, logs, single door
YM581-637	BF, LPG, flat top, logs, single door
YM581-729	BF, LPG, low canopy, logs, single door
Options	
8548	Decorative flue collar for top exit (balanced flue)
8549	Decorative flue collar for top exit (conventional flue)
YM-A9904	Brass handle
8455	Standard Upgradeable remote control
8456	Programmable Thermostatic Upgradeable remote control
BL/BR/GR	Coloured paint supplement, add BL (Metallic Blue), BR (Metallic Brown) or GR (Metallic Green) suffix to stove code

Dimensions are measured in millimetres (mm)



Technical Information

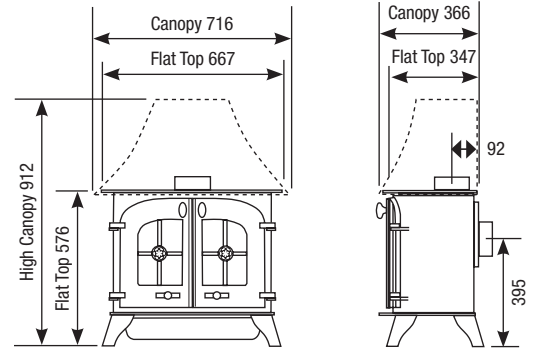
TRADITIONAL GAS STOVES (CONTINUED)

DARTMOOR - Conventional flue gas, manual or remote control

YM-N5101CFLUC	Natural gas, flat top, logs, single door
YM-N5102CFLUC	Natural gas, flat top, logs, double doors
YM-P5101CFLUC	LPG, flat top, logs, single door
YM-P5102CFLUC	LPG, flat top, logs, double doors
YM-N5101CFLUCHC	Natural gas, high canopy, logs, single door
YM-N5102CFLUCHC	Natural gas, high canopy, logs, double doors
YM-P5101CFLUCHC	LPG, high canopy, logs, single door
YM-P5102CFLUCHC	LPG, high canopy, logs, double doors

Options

8549	Decorative flue collar for top exit
YM-A9904	Brass handle (single door only)
8455	Standard Upgradeable remote control
8456	Programmable Thermostatic Upgradeable remote control
BL/BR/GR	Coloured paint supplement, add BL (Metallic Blue), BR (Metallic Brown) or GR (Metallic Green) suffix to stove code



Approx. Weight: 71 - 81Kg

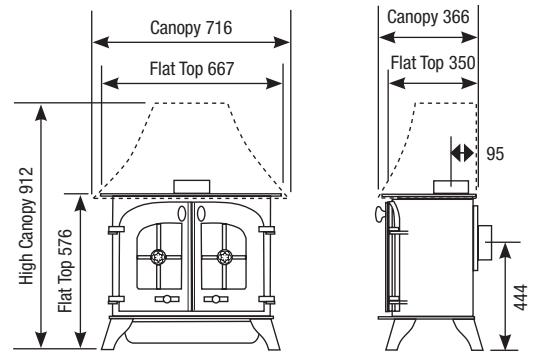
Dimensions are measured in millimetres (mm)

DARTMOOR - Balanced flue gas, manual or remote control

YM-N5201BFLUC	Natural gas, flat top, logs, single door
YM-P5201BFLUC	LPG, flat top, logs, single door
YM-N5201BFLUCHC	Natural gas, high canopy, logs, single door
YM-P5201BFLUCHC	LPG, high canopy, logs, single door
YM-N5202BFLUC	Natural gas, flat top, logs, double doors
YM-P5202BFLUC	LPG, flat top, logs, double doors
YM-N5202BFLUCHC	Natural gas, high canopy, logs, double doors
YM-P5202BFLUCHC	LPG, high canopy, logs, double doors

Options

8548	Decorative flue collar for top exit
YM-A9904	Brass handle (single door only)
8455	Standard Upgradeable remote control
8456	Programmable Thermostatic Upgradeable remote control
BL/BR/GR	Coloured paint supplement, add BL (Metallic Blue), BR (Metallic Brown) or GR (Metallic Green) suffix to stove code



Approx. Weight: 71 - 81Kg

Dimensions are measured in millimetres (mm)

Technical Information

DOUBLE-SIDED GAS STOVES

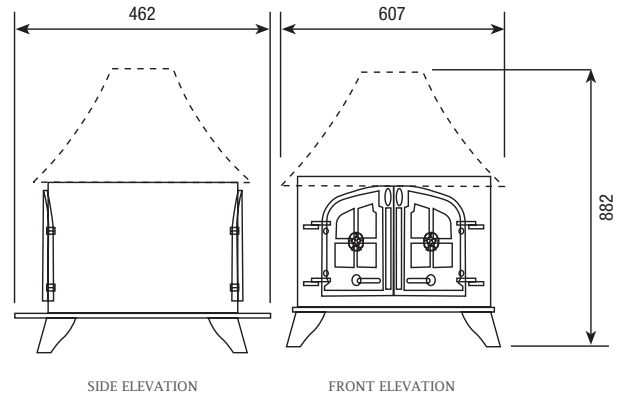
DEVON - Double-Sided, single depth, conventional flue - Gas - Manual or remote control

YM-G9211LGHC	Natural gas, high canopy, logs, single door
YM-G9212LGHC	Natural gas, high canopy, logs, double doors
YM-P9211LGHC	LPG, high canopy, logs, single door
YM-P9212LGHC	LPG, high canopy, logs, double doors

Options

YM-A9904	Brass handle (each)
YM-A8455	Standard Upgradeable remote control
YM-A8456	Programmable Thermostatic Upgradeable remote control
BL/BR/GR	Coloured paint supplement, add BL (Metallic Blue), BR (Metallic Brown) or GR (Metallic Green) suffix to stove code

Dimensions are measured in millimetres (mm)



CL GAS STOVES

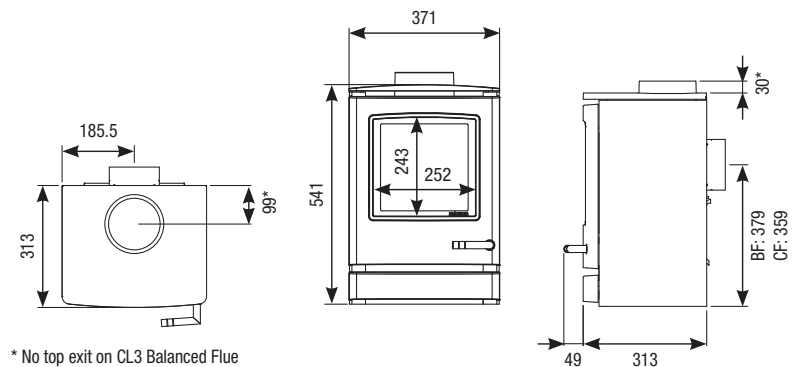
CL3 Gas - Conventional and Balanced flue - Manual or remote control

YM581-016	Conventional Flue, Natural gas, logs, top exit
YM581-003	Conventional Flue, Natural gas, logs, rear exit
YM581-427	Conventional Flue, LPG, logs, top exit
YM581-409	Conventional Flue, LPG, logs, rear exit
YM581-038	Balanced Flue, Natural gas, logs, rear exit
YM581-443	Balanced Flue, LPG, logs, rear exit

Options

YM-A8455	Standard Upgradeable remote control
YM-A8456	Programmable Thermostatic Upgradeable remote control

Dimensions are measured in millimetres (mm)



* No top exit on CL3 Balanced Flue

Approx. Weight: 40 - 42Kg

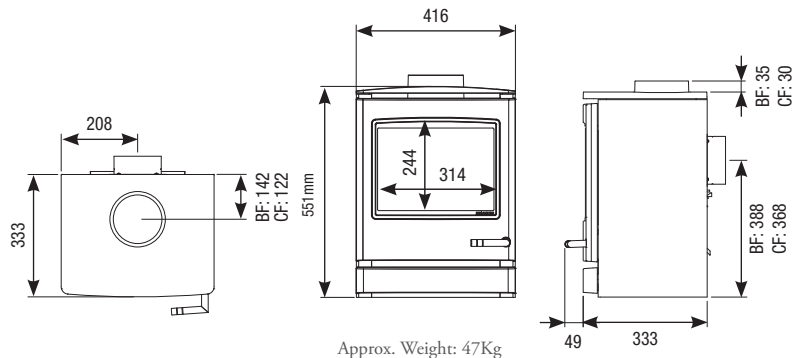
CL5 Gas - Conventional and Balanced flue - Manual or remote control

YM581-090	Conventional Flue, Natural gas, logs, top exit
YM581-059	Conventional Flue, Natural gas, logs, rear exit
YM581-484	Conventional Flue, LPG, logs, top exit
YM581-460	Conventional Flue, LPG, logs, rear exit
YM581-114	Balanced Flue, Natural gas, logs, top exit
YM581-100	Balanced Flue, Natural gas, logs, rear exit
YM581-536	Balanced Flue, LPG, logs, top exit
YM581-503	Balanced Flue, LPG, logs, rear exit

Options

YM-A8455	Standard Upgradeable remote control
YM-A8456	Programmable Thermostatic Upgradeable remote control

Dimensions are measured in millimetres (mm)



Approx. Weight: 47Kg

Technical Information

CL GAS STOVES (CONTINUED)

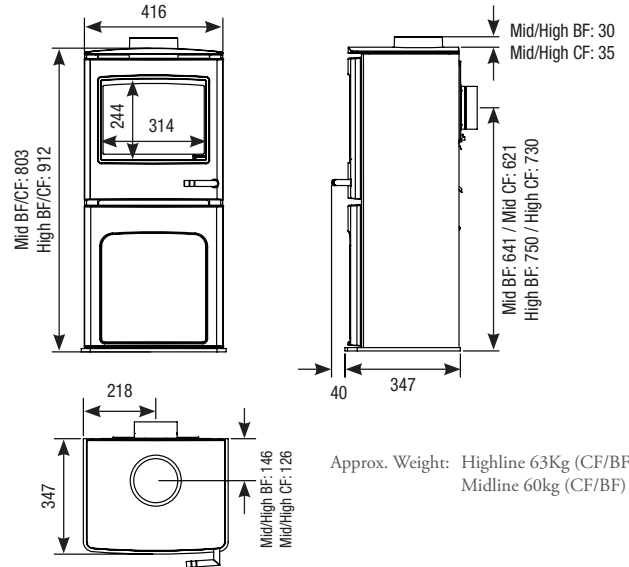
CL5 Midline and Highline Gas - Conventional and Balanced flue - Manual or remote control

YM581-026	CL5 Midline, Conventional Flue, Natural gas, logs, top exit
YM581-010	CL5 Midline, Conventional Flue, Natural gas, logs, rear exit
YM581-520	CL5 Midline, Conventional Flue, LPG, logs, top exit
YM581-513	CL5 Midline, Conventional Flue, LPG, logs, rear exit
YM581-041	CL5 Midline, Balanced Flue, Natural gas, logs, top exit
YM581-032	CL5 Midline, Balanced Flue, Natural gas, logs, rear exit
YM581-561	CL5 Midline, Balanced Flue, LPG, logs, top exit
YM581-553	CL5 Midline, Balanced Flue, LPG, logs, rear exit
YM581-068	CL5 Highline, Conventional Flue, Natural gas, logs, rear exit
YM581-577	CL5 Highline, Conventional Flue, LPG, logs, rear exit
YM581-095	CL5 Highline, Conventional Flue, Natural gas, logs, top exit
YM581-585	CL5 Highline, Conventional Flue, LPG, logs, top exit
YM581-118	CL5 Highline, Balanced Flue, Natural gas, logs, rear exit
YM581-594	CL5 Highline, Balanced Flue, LPG, logs, rear exit
YM581-129	CL5 Highline, Balanced Flue, Natural gas, logs, top exit
YM581-599	CL5 Highline, Balanced Flue, LPG, logs, top exit

Options

YM-A8455	Standard Upgradeable remote control
YM-A8456	Programmable Thermostatic Upgradeable remote control

Dimensions are measured in millimetres (mm)



Approx. Weight: Highline 63Kg (CF/BF)
Midline 60kg (CF/BF)

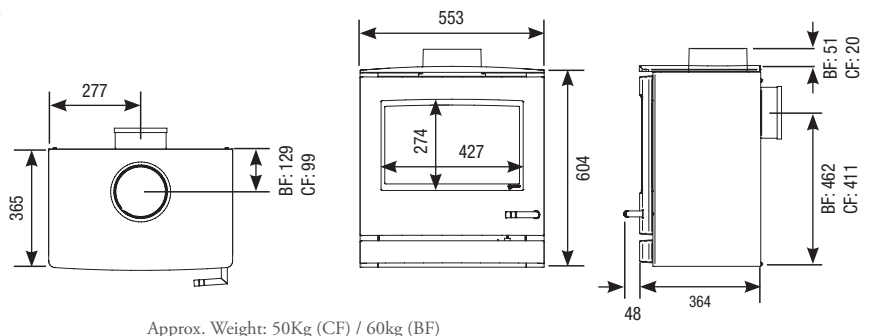
CL8 Gas - Conventional and Balanced flue - Manual or remote control

YM581-141	Conventional Flue, Natural gas, logs, top exit
YM581-126	Conventional Flue, Natural gas, logs, rear exit
YM581-588	Conventional Flue, LPG, logs, top exit
YM581-567	Conventional Flue, LPG, logs, rear exit
YM581-207	Balanced Flue, Natural gas, logs, top exit
YM581-174	Balanced Flue, Natural gas, logs, rear exit
YM581-654	Balanced Flue, LPG, logs, top exit
YM581-601	Balanced Flue, LPG, logs, rear exit

Options

YM-A8455	Standard Upgradeable remote control
YM-A8456	Programmable Thermostatic Upgradeable remote control

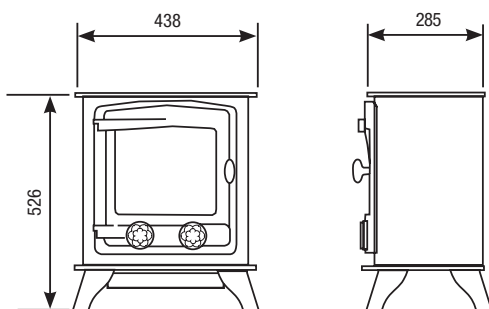
Dimensions are measured in millimetres (mm)



Approx. Weight: 50Kg (CF) / 60kg (BF)

ELECTRIC STOVES

EXMOOR Electric Stove

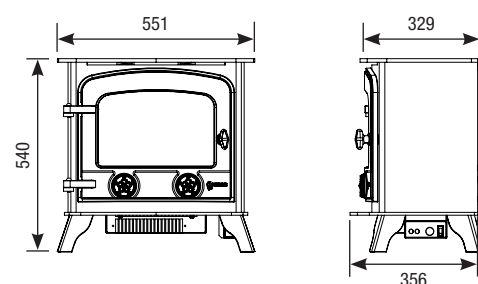


YM-E9001FL Exmoor - flat top Approx. Weight: 47Kg

Options

YM-A9904	Brass handle
----------	--------------

EXE Electric Stove



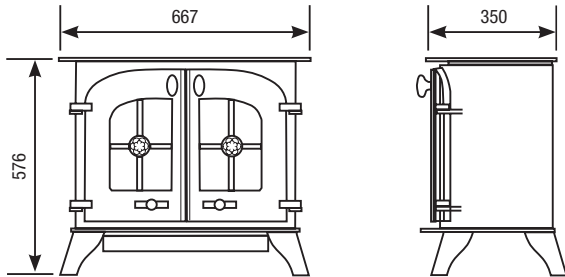
Approx. Weight: 61Kg

Dimensions are measured in millimetres (mm)

Technical Information

ELECTRIC STOVES (CONTINUED)

DARTMOOR Electric Stove

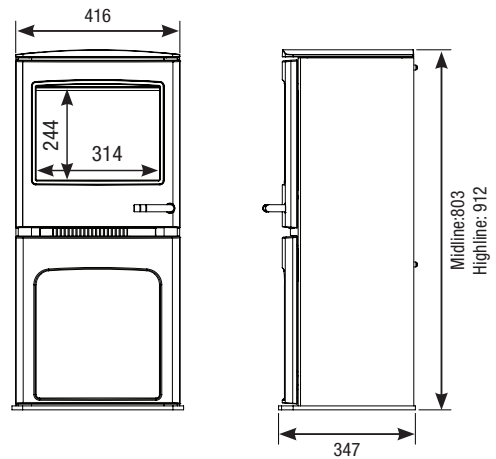


YM-E5201FL Dartmoor 1 Door - flat top
 YM-E5202FL Dartmoor 2 Door - flat top
 Options
 YM-A9904 Brass handle (single door only)

Approx. Weight: 75Kg

Dimensions are measured in millimetres (mm)

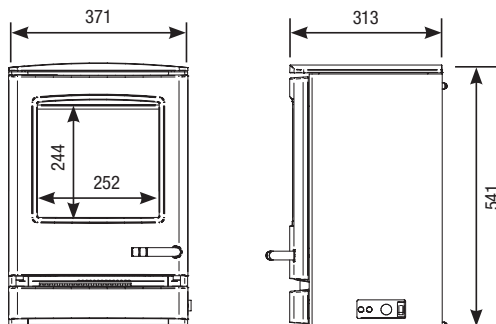
CL5 Midline & Highline Electric Stoves



YM-681-003 CL5 Electric Midline Approx. Weight: 56kg
 YM-681-016 CL5 Electric Highline Approx. Weight: 59kg

Dimensions are measured in millimetres (mm)

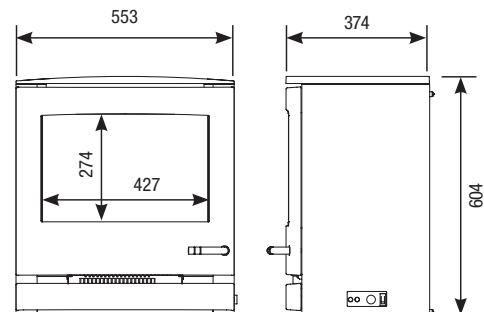
CL3 Electric Stove



YM-681-021 CL3 Electric Stove Approx. Weight: 40Kg

Dimensions are measured in millimetres (mm)

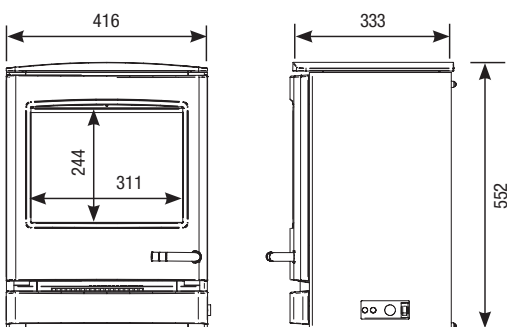
CL8 Electric Stove



YM-681-093 CL8 Electric Stove Approx. Weight: 44Kg

Dimensions are measured in millimetres (mm)

CL5 Electric Stove



YM-681-048 CL5 Electric Stove Approx. Weight: 47Kg

Dimensions are measured in millimetres (mm)

Further Information

Product Improvement, Photography & Safety Information

Yeoman pursue a policy of constant product improvement. Products supplied may therefore differ in specification from those illustrated or described in this brochure, and you should always check the final specification with your Yeoman retailer. All fire & flame photography has been taken from genuine products; however, the exact appearance of the flame picture for any appliance will vary depending on the nature of the flue type, installation surroundings, local geographical features & the way in which the appliance is operated.

Please note: The operation & appearance of gas appliances depends on variable factors such as the gas pressure supplied.

Please note that all parts of these stoves and fires, particularly the glass panel in the door, become extremely hot during operation and can result in serious injury and burns if touched. It is therefore recommended that a fireguard complying with BS 8423:2010+A12016 is used in the presence of young children, the elderly or infirm.

Installing Your Yeoman Stove

A Gas Safe Register (UK) or Bord Gais (Republic of Ireland) approved installer should undertake a site survey prior to purchase and must install your Yeoman Stove for you. Your Yeoman retailer will be able to offer advice on this. You may also view or download installation instructions at our website – www.yeomanstoves.co.uk.

The following diagrams cover some of the basic requirements. All fires and stoves consume air as they burn. To comply with UK Building Regulations (Document J), therefore, if you are purchasing a stove with a maximum heat output in excess of 5.0kW, you will need to install a fixed air vent to ensure adequate ventilation. Outputs below this will not normally require a vent.

Extended Warranty

Your Yeoman Expert Retailer will provide you with a Two Year Warranty for your new stove or fire. For gas appliances, this can be further extended to a Five Year Warranty, provided you register your product with Yeoman. Stoves and fires purchased outside of Yeoman's Expert Retailer Network will carry a standard One Year Non-Extendable Warranty. Please note, these warranties exclude certain consumable parts and are dependant on your appliance being serviced by an appropriately qualified person 12 months after installation and annually thereafter. Full warranty terms & conditions are available to view at www.yeomanstoves.co.uk.

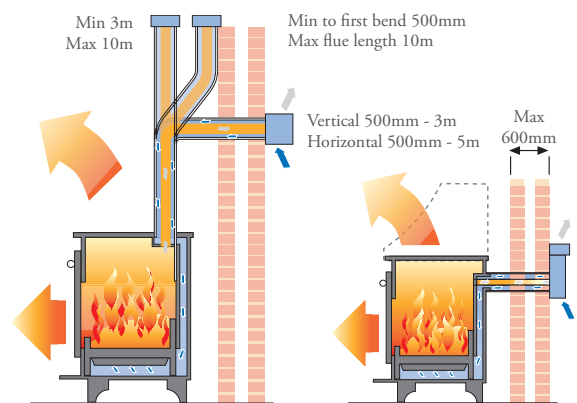


Balanced Flue Gas Stove Systems

The Yeoman Balanced Flue system means having no chimney is not a problem if you opt for either an Exmoor, Exe, Devon, Dartmoor, CL 530, CL 670, CL7 Inset* coal-effect, Dartmouth Inset or CL gas stove, as it draws combustion air from outside through its concentric pipe system. A full range of optional flue components is available to suit the configurations shown to the right.

Please note that these are diagrammatic representations only and vary according to model. Full installation information can be downloaded from www.yeomanstoves.co.uk.

*Coal-effect model only.



Yeoman's sister company, Gazco, have specifically developed a range of flue system components to complement your balanced flue Yeoman gas stove or fire. Crafted from 304 grade stainless steel and aluminium with some items additionally offered in anthracite paint finish. Designed with ease of installation and flexibility in mind, these flue systems simply push together without the requirement for locking bands or screws. Both the inner and outer pipes are secured with easy fit, self locking, high temperature silicone seals. For further information, please speak to your retailer or visit www.gazco.com.

Flue Requirements

The type of chimney or flue you have usually dictates your choice of stove or fire. Once you have identified your chimney (or confirmed you do not have one), take note of the symbol that represents this, as this has been used throughout the brochure to represent the stoves or fires that are suitable for installation in your home.

Conventional Flue

Conventional flue systems are easily recognisable as either a conventional brick or stone chimney, pre-fabricated or pre-cast chimney system. Should your home have none of these at present, it is usually possible to have a pre-fabricated system installed in your home if required.



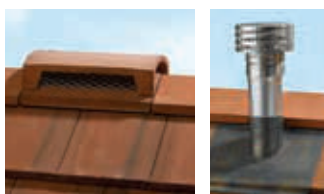
Brick or Stone Chimney (Class 1)

The chimney stack rises well above the roofline and is topped by a traditional chimney pot or gas terminal. This type of chimney relies on the natural circulation of heated air to expel the products of combustion up your chimney.



Pre-Fabricated Flues (Class 1 & 2)

You will see a metal flue cowl on your roof. Some are all metal whilst others may terminate through a short rectangular pot (but without a chimney stack). These flues create the same circulation of heated air as a brick or stone chimney.



Pre-Cast flues (Class 2)

Many modern homes have been built with such flues. You can readily identify them by either a metal flue cowl or a raised ridge terminal on your roof. Again, the natural circulation of heated air expels the products of combustion. This option is only available on the small stoves.

Balanced Flue

With Balanced Flue installations the appliance is completely sealed from the room into which it is installed (so there are no draughts and heating efficiency is increased) and a twin-wall pipe vents directly to an outside wall. Please see page 57 for further details.



Balanced Flue (No chimney required)



Air for combustion is drawn in through the outer pipe whilst the inner pipe removes the combustion gases to the exterior of the property. Depending on the stove selected, the twin-walled pipe may exit horizontally through an external wall or vertically through the roof. Gazco offers a comprehensive range of balanced flue components. Please refer to Gazco's dedicated Concentric Flue System brochure which can be requested from your retailer or viewed online at www.gazco.com.



Electric Stoves (No chimney required)

Yeoman produce an selection of electric Exe, Exmoor, Dartmoor, CL3, CL5 and CL8 stoves which do not, of course, require a chimney or flue of any kind.

No Air Vent required (UK)

All fires and stoves shown with this symbol, boast the advantage of not normally requiring an air vent* where the air permeability is greater than 5.0m³/hr/m². Please discuss this in full with your local Yeoman retailer.



**Requirements in the Republic Of Ireland are different.*



Yeoman Exe multi-fuel double door with low canopy

Yeoman Woodburning and Multi-fuel Stoves and Fires



Yeoman Exmoor multi-fuel with flat top

Relax in the irresistible ambience that a real woodburning stove creates! Yeoman also offer a number of the stoves in this brochure as woodburning and multi-fuel models. Expertly crafted designs range from contemporary to traditional, to suit a wide range of interior styles. Synonymous with quality and efficiency these extraordinary stoves will really make a statement that friends and family will instantly warm to.

Furthermore, it is possible to achieve complete home heating with a Yeoman boiler stove. There are five boiler models in the Yeoman range which not only heat the room they are in, but can supply hot water to up to 19 radiators throughout the rest of the house.

For more information please speak to your local Yeoman retailer, or alternatively you can view and download the brochure online at www.yeomanstoves.co.uk.





Exe Gas Stove

Yeoman

A NATURAL WARMTH

Osprey Road, Sowton Industrial Estate, Exeter, Devon EX2 7JG

Gas and Electric Trade Sales

Tel: 01392 261900
 Fax: 01392 444148

Solid Fuel Trade Sales

Tel: 01392 474500
 Fax: 01392 219932

e-mail: exportsales@gazco.com
 e-mail: yeoman@gazco.com
www.yeomanstoves.co.uk

To visit the Yeoman website
 please scan this code with
 your mobile device.



Your local Yeoman retailer

£2.00



All fire & flame photography has been taken from genuine products; however, the exact appearance of the flame picture for any appliance will vary depending on the nature of the flue type, installation surroundings, local geographical features & the way in which the appliance is operated. Please note: The operation & appearance of gas appliances depends on variable factors such as the gas pressure supplied.

Yeoman Stoves gratefully acknowledge the assistance of the following companies with photographic settings:

Furnishings and Ornaments: - **Eclectique** - www.eclectique.co.uk; **Furniture Village** - www.furniturevillage.co.uk; **Fagins Antiques** - www.faginsantiques.com;
Laura Ashley - www.lauraashley.com; **Orange Tree** - www.theorangetree.co.uk; **Debenhams** - www.debenhams.co.uk; **House Of Fraser** - www.houseoffraser.co.uk;
The Cook Shop - www.justaddfood.co.uk; Wood Flooring: - **Beach Bros Ltd** - www.beachbros.co.uk; Stone Flooring and Wall Tiles: - **Original Style** - www.originalstyle.com;
 Stone Mantels: - **Farmington** - www.farmington.co.uk; Conservatories: - **Apple Conservatories** - www.appleconservatories.com; **Puffing Billy Restaurant** - www.thepuffingbilly.co.uk

Paper sourced from sustainable forests and printed using vegetable based inks